

**SIDE RECOVERY SYSTEM  
(CARRIER)  
PARTS MANUAL**

***JERR-DAN***<sup>®</sup>

An Oshkosh Corporation Company

1080 Hykes Road  
Greencastle, PA 17225  
Phone (717) 597-7111  
[www.jerr-dan.com](http://www.jerr-dan.com)

5-376-000105  
Rev 1 - January 01, 2008

© 2008 Jerr-Dan Corporation. All Rights Reserved.

This manual covers the following Jerr-Dan Models:

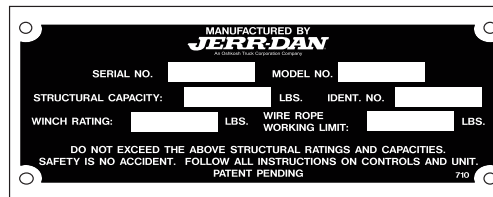
SRS-8	Side Recovery System (8,000 lb)
SRS-10	Side Recovery System (10,000 lb)

Jerr-Dan Corporation strives to provide information that is accurate, complete and useful. Descriptions and illustrative material contained within this manual are as accurate as known at the time of publication and are subject to change, without notice, as a result of continuous product improvements. Jerr-Dan reserves the right to amend the information in this document at any time without prior notice.

Information contained in this manual reflects how this vehicle was built at the factory. Modifications or additions by the distributor or owner are not reflected in this manual.

This parts manual does not include service parts information for the commercial chassis (IHC, Ford, GM, etc.). This parts information is provided by the chassis manufacturer.

When ordering parts, please refer to your unit's Sales Order Number, Serial Number and Model Number. This information can be found on the aluminum tag riveted to the frame crossmember of the Side Recovery System as shown below:



Additional or replacement manuals can be ordered by calling Jerr-Dan Parts at 717-597-7111. Price and availability will be quoted at time of the request.

Please report comments and/or errors by contacting Jerr-Dan Corporation's Technical Publications Department by e-mail at [technicalpublications@jerr-dan.com](mailto:technicalpublications@jerr-dan.com) or by FAX on 717-593-2362.

Patents Pending.

Jerr-Dan and the Jerr-Dan logo are registered trademarks and Run Hard is a service mark of Jerr-Dan Corporation, Greencastle, PA USA.

The material in this document is confidential and the property of Jerr-Dan Corporation. No part of this document may be photocopied, reproduced or translated to another language without the express written consent of Jerr-Dan Corporation.

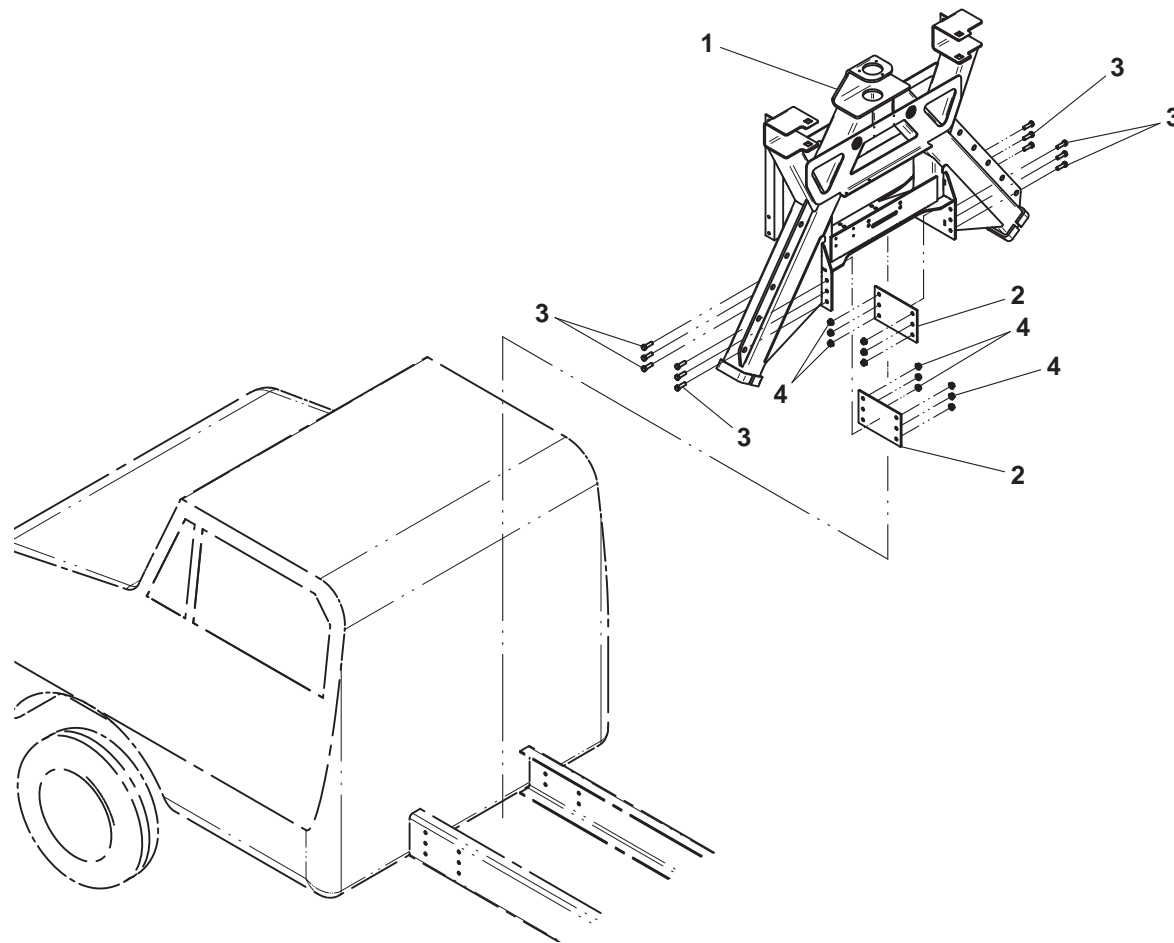
# INDEX

<u>DESCRIPTION</u>	<u>PAGE</u>
Frame .....	4 - 5
Stabilizer .....	6 - 7
Planetary Gear Winch - Free Spool - Cable Tensioner .....	8 - 9
Pivoting Recovery Boom .....	10 - 11
Headboard .....	12 - 13
Hydraulic Components - Standard .....	14 - 15
Manifold Valve .....	16 - 17
Electrical Components - Side Recovery Components .....	18 - 19
Stabilizer Cylinder Assembly .....	20 - 21
Work Lights .....	22 - 23
Shackle .....	24 - 25
Decals .....	26 - 27

**FRAME**

ITEM	PART NO.	DESCRIPTION	QTY
1	3455000051	Frame weld	1
2	4831000126	Spacer, 0.25"	A/R
	4831000127	Spacer, 0.12"	
3	7105201650	Capscrew, 0.63"-18NF x 2.00"	12
4	7660202347	Locknut, 0.63"-18NF	12

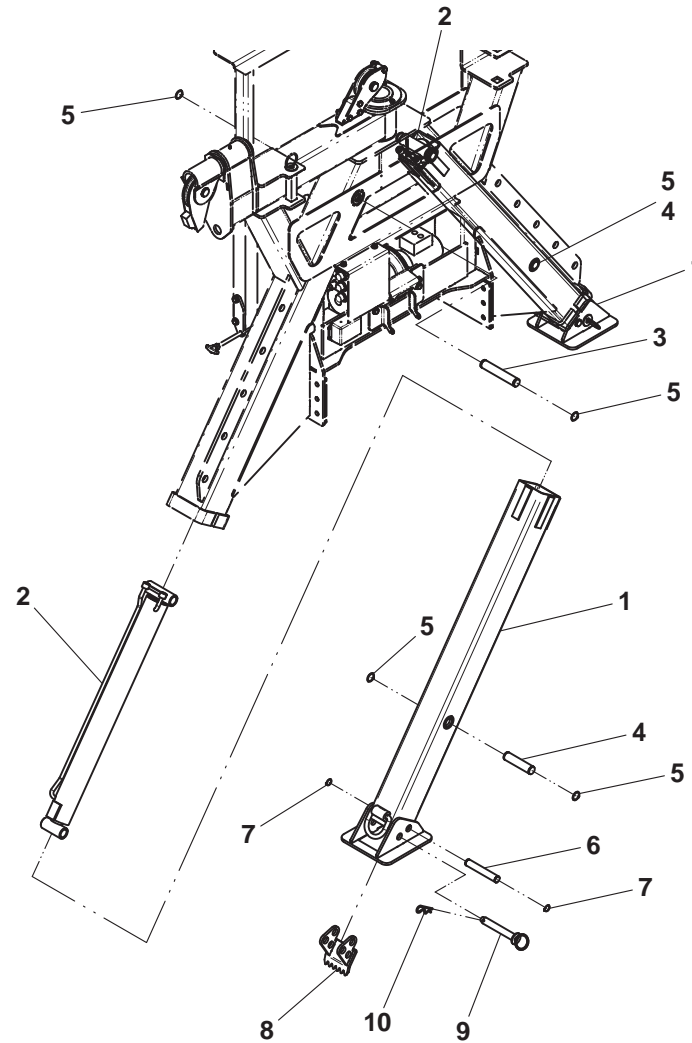
# FRAME



**STABILIZER**

ITEM	PART NO.	DESCRIPTION	QTY
1	3170000442	Inner Boom Weld	1
2	3320000229	Cylinder Assembly	2
3	4691000296	Pin	2
4	4691000429	Pin	2
5	7754000006	Retaining Ring	8
6	4691000495	Pin	2
7	7754000019	Retaining Ring	4
8	3706000363	Spade Weld	2
9	3691000064	Pin Weld	2
10	7691000001	Hair Pin	2

# STABILIZER



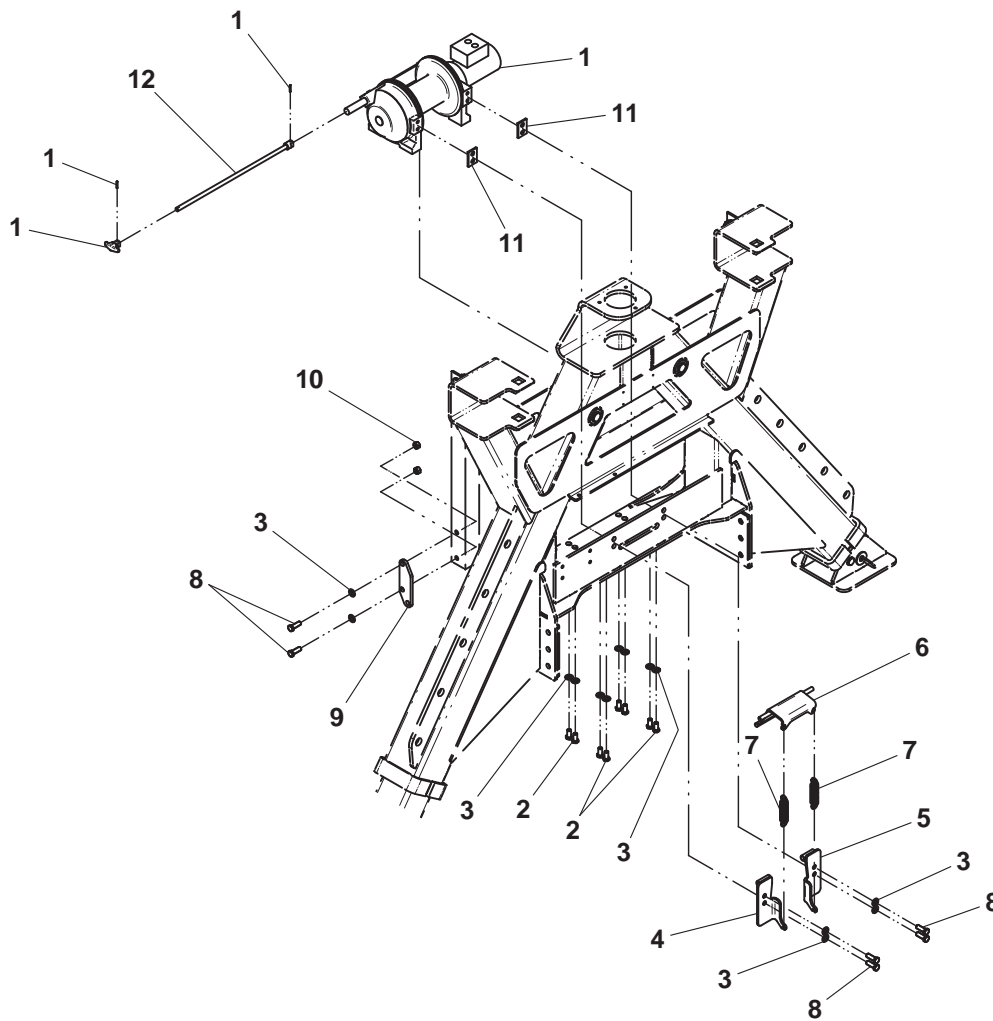
**PLANETARY GEAR WINCH - FREE SPOOL - CABLE TENSIONER**

ITEM	PART NO.	DESCRIPTION	QTY
1	7970000157	Winch - 8,000 lb Planetary Gear	1
	7970000158	Winch - 10,000 lb Planetary Gear	
2	7115180850	Capscrew, 0.50"-13NC x 1.00"	8
3	7950180153	Flatwasher, 0.50" ID	14
4	3178000517	Tensioner Bracket Weld LH	1
5	3178000518	Tensioner Bracket Weld RH	1
6	3706000364	Tensioner Plate Weld	1
7	7843000035	Spring	2
8	7115181250	Capscrew, 0.50"-13NC x 1.50"	6
9	4706005672	Plate	1
10	7660182601	Locknut, 0.50"-13NC	2
11	4706005752	Plate	2
12	3763000188	Extend Rod Weld	1
13	7248000077	Cable Assy, 0.38" dia x 100' (8,000 lb)	1
	7248000070	Cable Assy, 0.44" dia x 75' (10,000 lb)	
14	7002000519	Snatch Block (8,000 lb)	1

Refer to manufacturer's manual for winch parts list



## PLANETARY GEAR WINCH - FREE SPOOL - CABLE TENSIONER

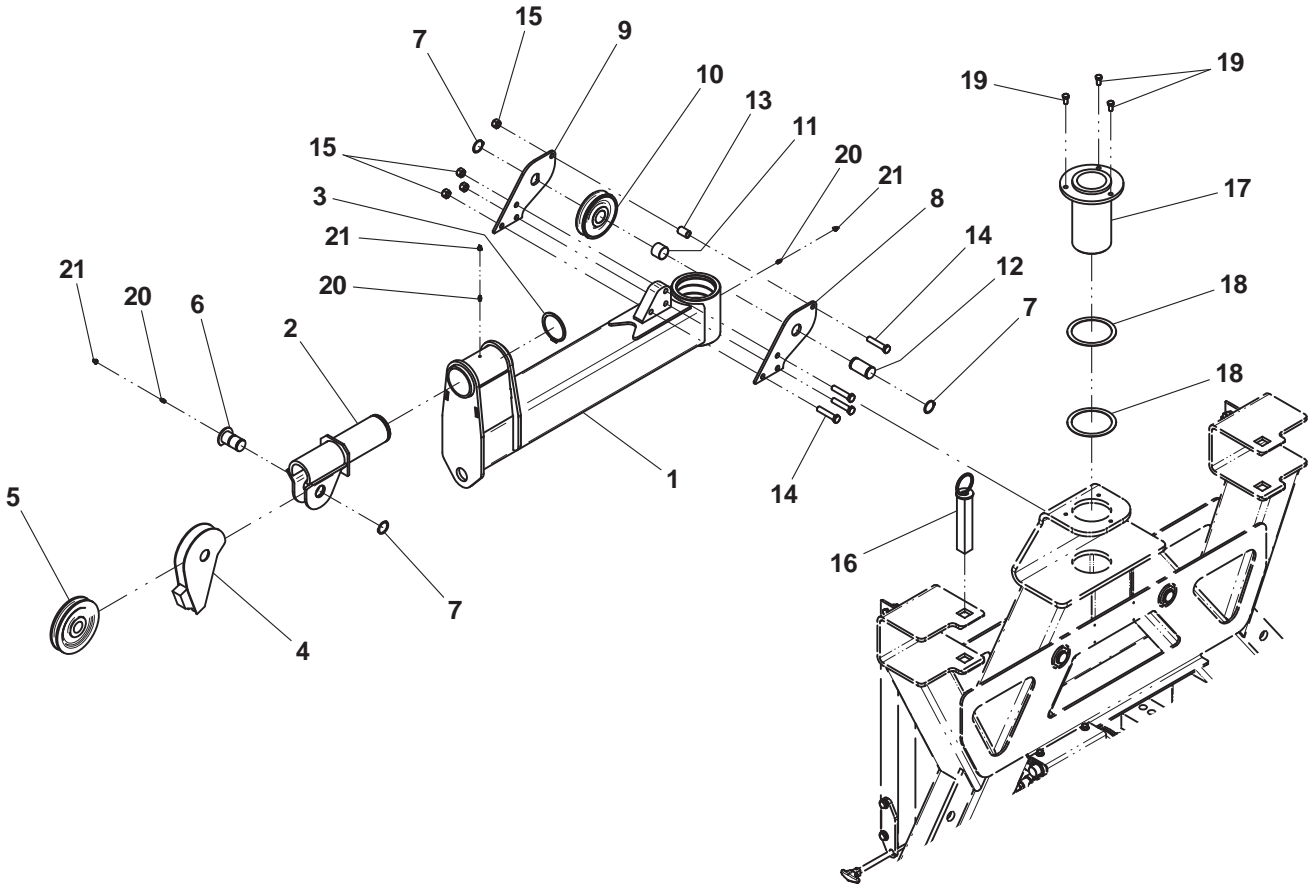


Item #13, Winch Cable, not shown  
Item #14, Snatch Block, not shown

**PIVOTING RECOVERY BOOM**

ITEM	PART NO.	DESCRIPTION	QTY
1	317000444	Swing Boom Weld	1
2	350290023	Sheave Support Weld	1
3	775400018	Retaining Ring	1
4	324900002	Cable Guide Weld	1
5	780900001	Sheave	1
6	3691000134	Pin Weld	1
7	775400006	Retaining Ring	3
8	4706005650	Plate	1
9	4706005651	Plate	1
10	7809000021	Sheave	1
11	7082000032	Bearing	1
12	4691000513	Pin	1
13	4209000336	Bushing	1
14	7115182050	Capscrew, 0.50"-13NC x 2.50"	4
15	7660182601	Locknut, 0.50"-13NC	4
16	3691000260	Pin Weld	1
17	3691000259	Pin Weld	1
18	4949000059	Washer	2
19	7115160650	Capscrew, 0.38"-16NC x 0.75"	3
20	7440030000	Grease Fitting	3
21	7253000002	Cap	3

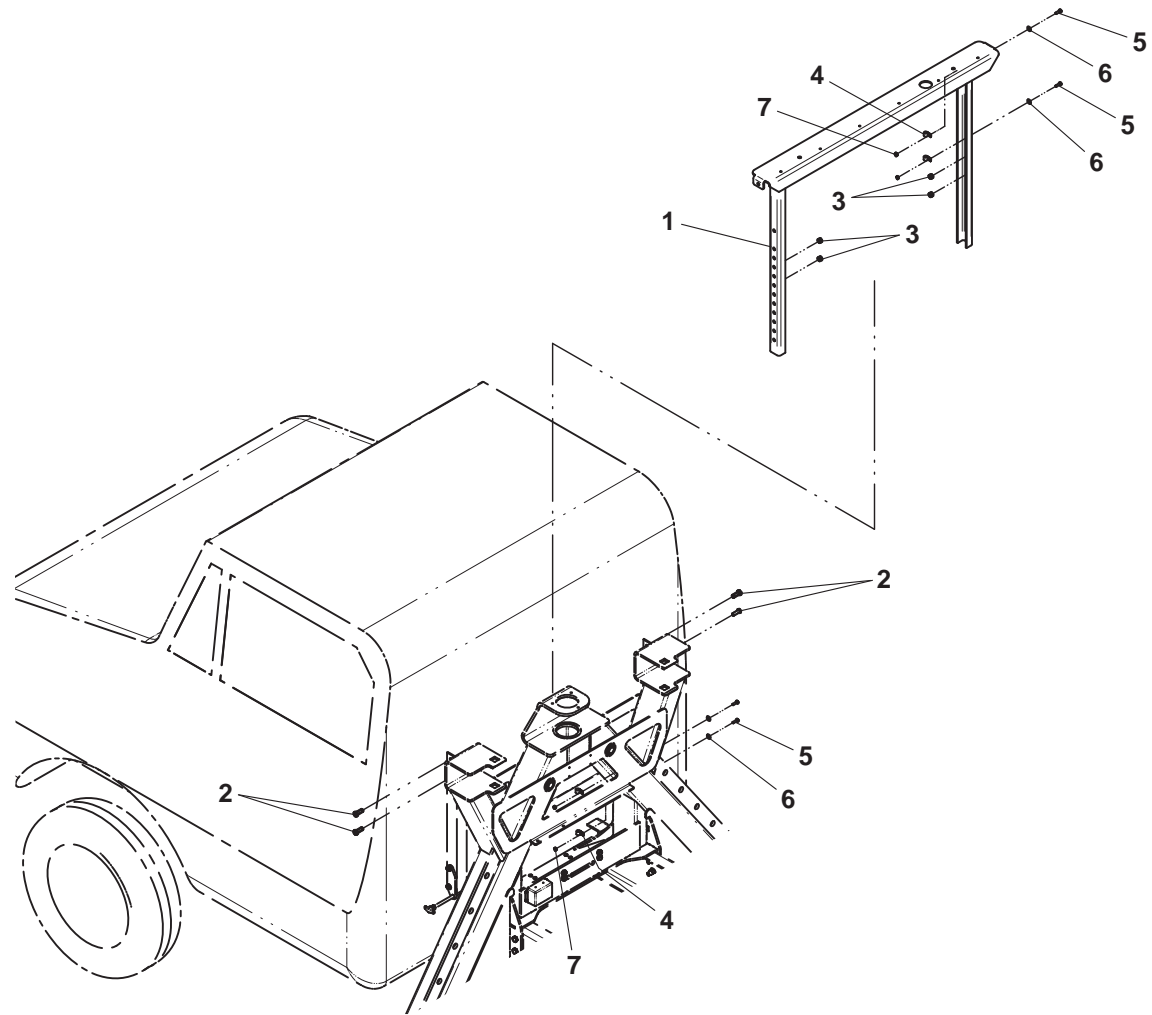
# PIVOTING RECOVERY BOOM



**HEADBOARD**

ITEM	PART NO.	DESCRIPTION	QTY
1	3241000208	Upper Headboard Weld	1
2	7115181250	Capscrew, 0.50"-13NC x 1.50"	4
3	7660182601	Locknut, 0.50"-13NC	4
4	7274000053	Clamp	4
5	7115150850	Capscrew, 0.31"-18NC x 1.00"	4
6	7950150161	Flatwasher, 0.31 ID	4
7	7660152601	Locknut, 0.31"-18NC	4

# HEADBOARD



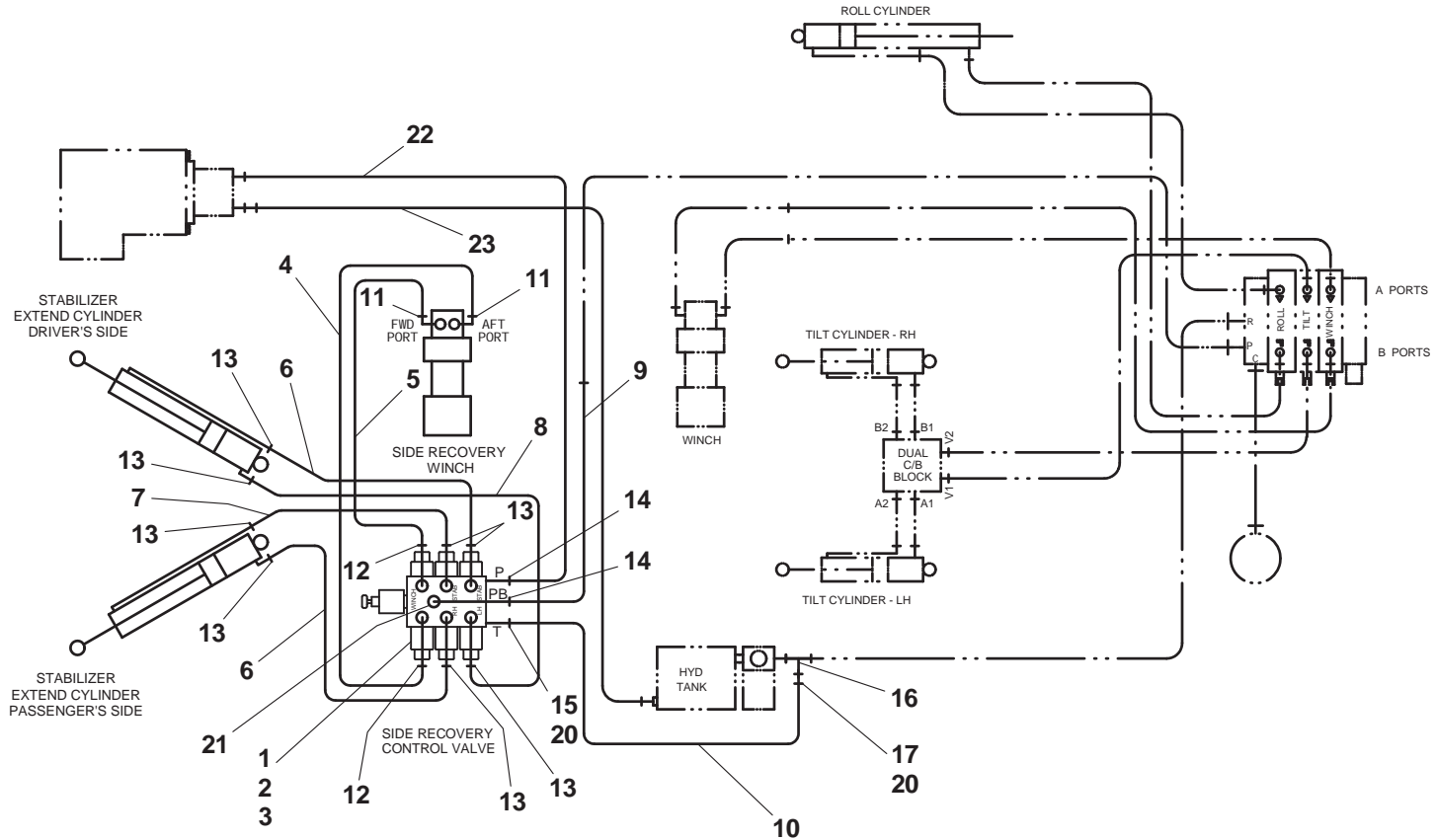
**HYDRAULIC COMPONENTS - STANDARD**

ITEM	PART NO.	DESCRIPTION	QTY
1	3619000010	Manifold Assembly - SRS	1
2	7115160650	Capscrew, 0.38"-16NC x 0.75"	3
3	7950160000	Lockwasher, 0.38" ID	3
4	4567122022*	Hose	1
5	4567123023*	Hose Assembly	1
6	4567122030*	Hose Assembly	2
7	4567122034*	Hose Assembly	1
8	4567122032*	Hose	1
9	4569142018*	Hose	1
10	See Note 1	Hose	1
11	7445061043	Adapter	2
12	7445060643	Adapter	2
13	7445060645	Elbow	8
14	7445081045	Elbow	2
15	7443000446	Fitting	1
16	7443000445	Tee	1
17	7443000374	Fitting	1
18	7819000005	Sleeve	1
19	7894000004	Tie Strap	8
20	7274000047	Clamp	2
21	7445081043	Adapter	1
22	See Note 1	Hose Assembly	1
23	See Note 1	Hose	1

\* included in SRS Hose Kit, P/N 4577000006

Note 1: Varies depending on chassis, transmission, PTO type & deck length. Consult factory for part numbers.

# HYDRAULIC COMPONENTS - STANDARD



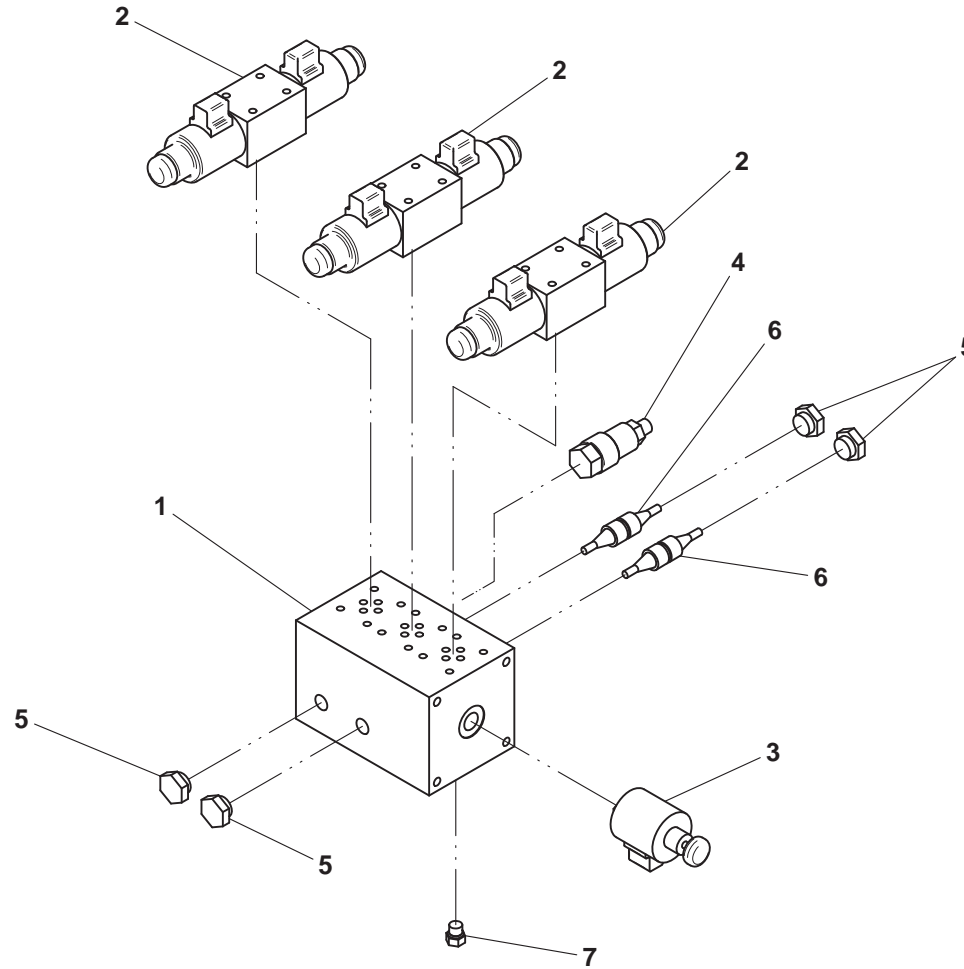
Item #18, Sleeve, not shown  
 Item #19, Tie Strap, not shown

**MANIFOLD VALVE**

ITEM	PART NO.	DESCRIPTION	QTY
1	7619000008	Manifold Block	1
2	7935000349	Valve-S/D	3
3	7935000350	Valve-PB	1
4	7935000280	Valve-Rlf	1
5	7935000327	Valve-Chk	4
6	7935000328	Valve-Pilot	2
7	7443000114	Plug	1



# MANIFOLD VALVE

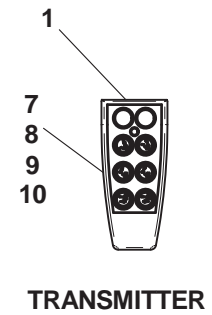
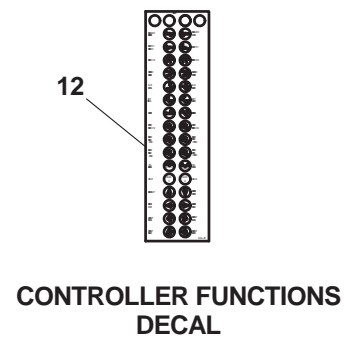
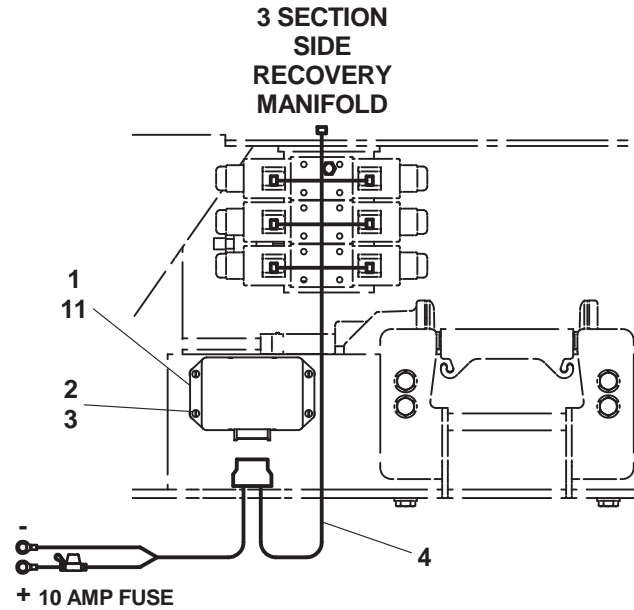
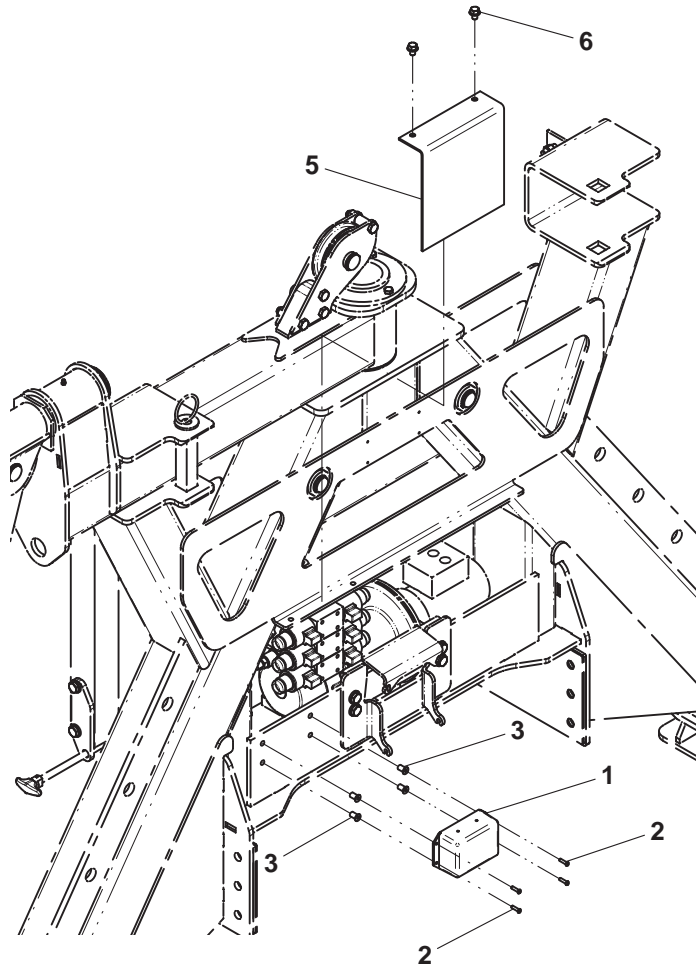


**ELECTRICAL COMPONENTS - SIDE RECOVERY CONTROLLER**

ITEM	PART NO.	DESCRIPTION	QTY
1	7295000118	Wireless Controller 6 Func	1
2	7104100613	Capscrew, #10-32NF x 0.75"	4
3	7661000007	Well Nut, #10-32NF	4
4	7552000385	Controller to 3 Sect Manifold Harness	1
5	4314000167	Coverplate	1
6	7790160853	Screw, 0.38"-16NC x 0.50"	2
7	9295310047*	Transmitter	1
8	9295310029*	Transmitter Rubber Boot	1
9	9295310030*	Transmitter Belt Clip	1
10	9295310031*	Transmitter Battery Retainer	1
11	9295310048*	Receiver	1
12	7330000696	Decal - Functions Legend	1

\* included in Wireless Controller 6 Func, P/N 7295000118

# ELECTRICAL COMPONENTS - SIDE RECOVERY CONTROLLER



**STABILIZER CYLINDER ASSEMBLY - P/N 3320000229**

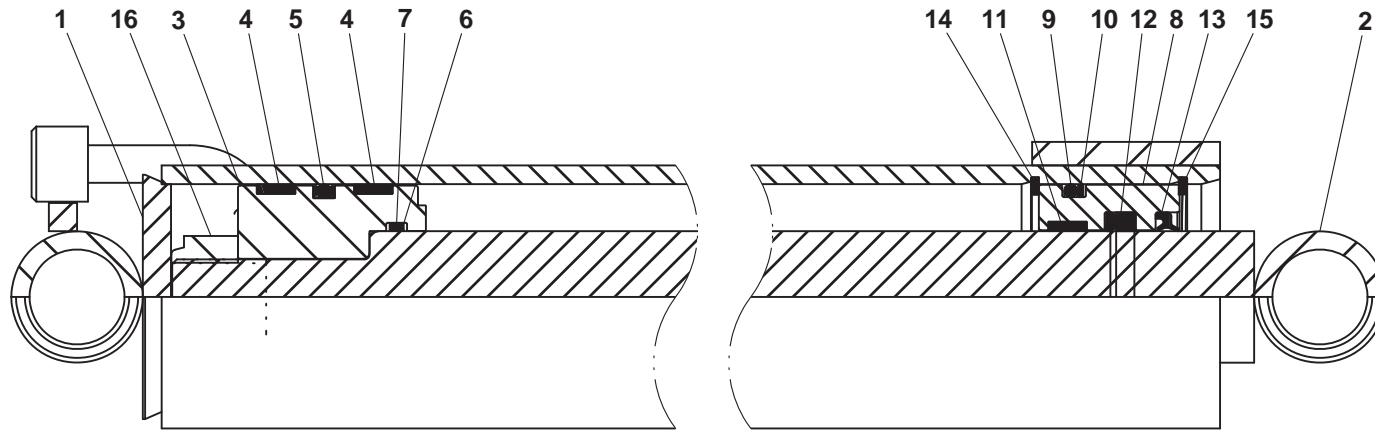
ITEM	PART NO.	DESCRIPTION	QTY
1	3071000213	Barrel Weld	1
2	3763000187	Rod Weld	1
3	4698000007*	Piston	1
4	7754000003* #	Wear Ring	2
5	7796000063* #	Piston Locking "T" Seal	1
6	7755224609* #	Back-Up Ring	2
7	7755224000* #	"O" Ring	1
8	4553000008^	Head	1
9	7755334000^ #	"O" Ring	1
10	7755334609^ #	Back-Up Ring	1
11	7754000004^ #	Wear Ring	1
12	7796000024^ #	Rod Seal	1
13	7796000008^ #	Rod Wiper Seal	1
14	7754000002 #	Retaining Ring	1
15	7754000026 #	Retaining Ring	1
16	7661000034	Locknut	2

\* included in Piston Assembly, P/N 3698000001

^ included in Head Assembly, P/N 3553000011

# available only in Service Kit #7577250024

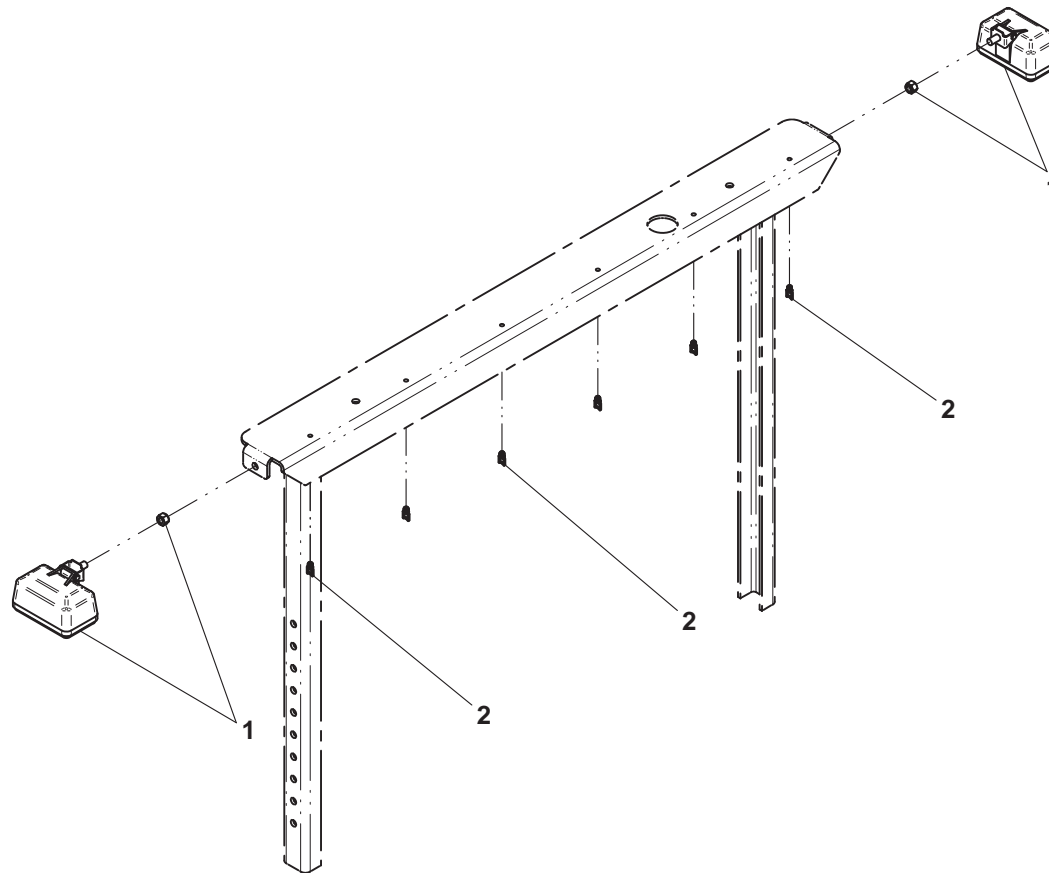
# STABILIZER CYLINDER ASSEMBLY - P/N 3320000229



**WORK LIGHTS**

ITEM	PART NO.	DESCRIPTION	QTY
1	7590000223	Work light	2
2	7280000011	Wire Clip	6
3	7552000397	Work Lights to Switch Panel Harness	1

# WORK LIGHTS



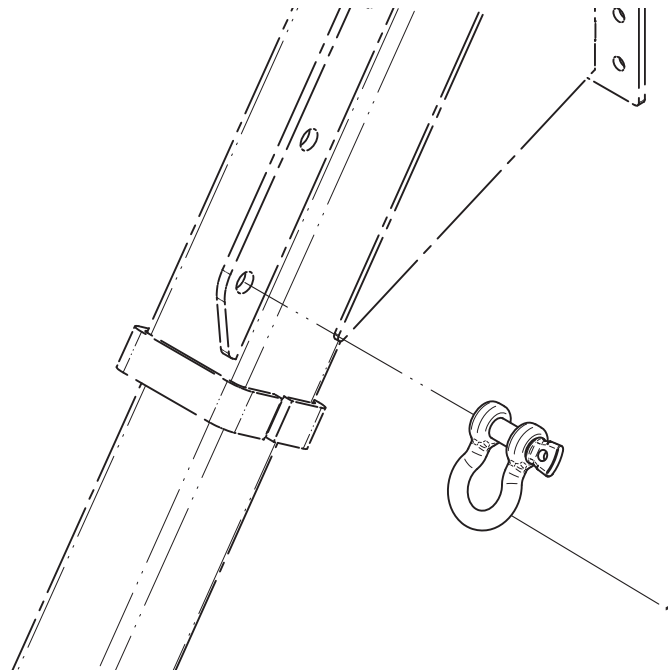
Item #3, Work Lights Harness, not shown

**SHACKLE**

ITEM	PART NO.	DESCRIPTION	QTY
1	780400007	Shackle	1



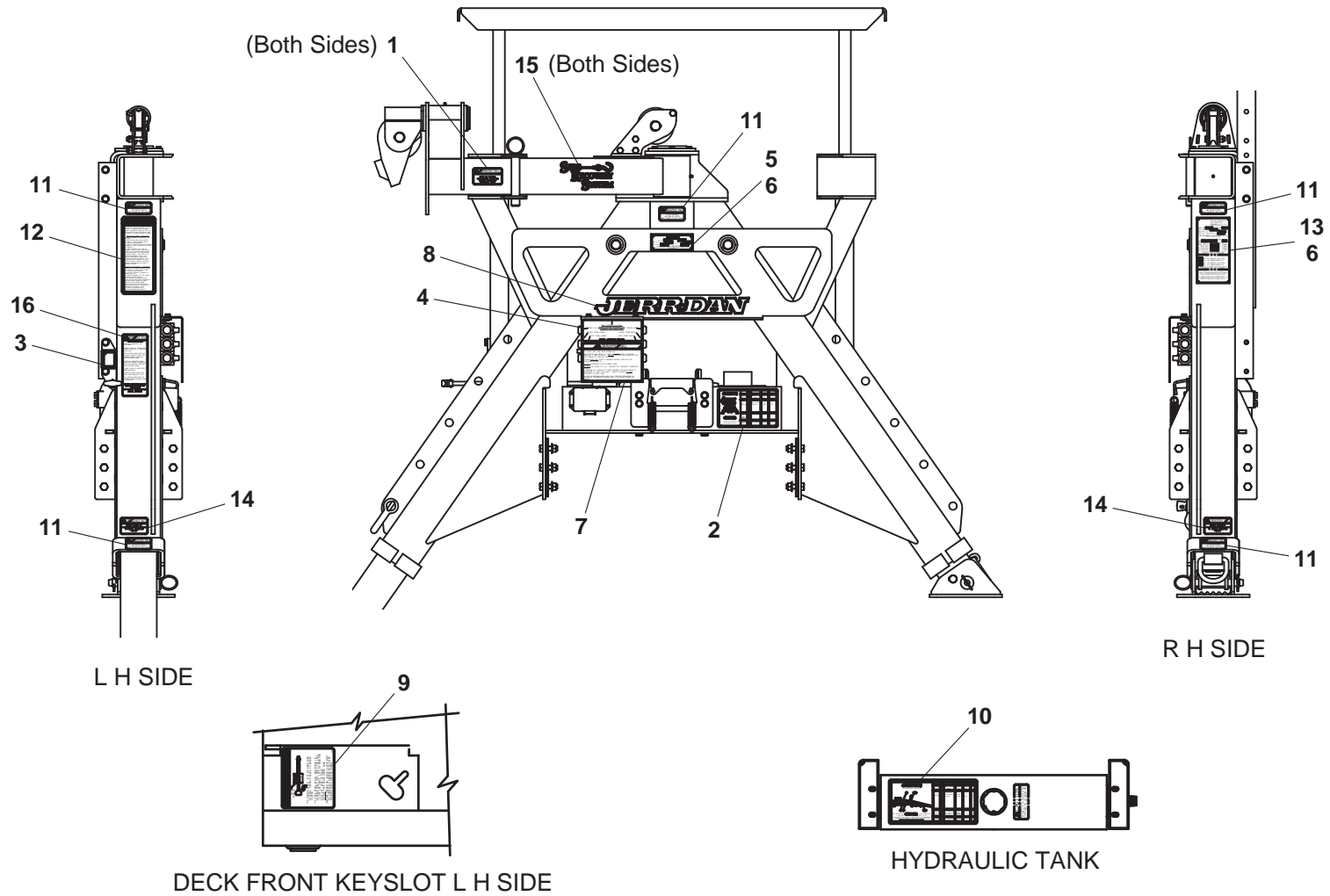
# SHACKLE



**DECALS**

ITEM	PART NO.	DESCRIPTION	QTY
1	7330000708	Decal - Pivoting Boom	2
2	7330000709	Decal - Lubrication Chart	1
3	7330000707	Decal - Free Spool	1
4	7330000711	Decal - Valve Manual Override	1
5	7330000710	Decal - Serial, Model, VIN, Rating	1
6	7759000004	Pop Rivet, 0.12" Dia	8
7	7330000713	Decal - Winch	1
8	7330000433	Jerr-Dan Nameplate	1
9	7330000495	Decal - Free Spool (stationary headboard)	1
10	7330000478	Decal - Lubrication Chart	1
11	7330000599	Decal - Pinch Point	5
12	7330000275	Decal - Operator's Pre-Checklist	1
13	7330000159	STAR Placard (standard duty units)	1
	7330000376	Decal - Structural Rating Placard (medium / heavy duty units)	1
14	7330000580	Decal - Stabilizer / Outrigger	2
15	7330000714	Decal - SRS Logo	2
16	7330000723	Decal - Operations & Bolt Torque	1

# DECALS



**THIS PAGE INTENTIONALLY LEFT BLANK**