

WHEEL LIFT GRIDS PARTS

PARTS LIST - LIGHT DUTY L-ARM GRID

Ref. No.	Part No.	Description	Qty
1	9822420001	Strap	2
2	4691000103	Pin	1
3	7754000024	Retaining Ring	1
4	7440030000	Grease Fitting	3
5	7701000007	Hole Plug	1
6	3511100073(A)	Storage Tube LH	1
	3911000019(B)	Storage Tube LH	1
7	3511100074(A)	Storage Tube RH	1
	3911000020(B)	Storage Tube RH	1
8	7660180000	Hex Nut	4
9	7950180000	Lockwasher	4
10	7950180161	Washer	4
11	3511880082	Pivot Tube	1
12	3511880080	Grid RH	1
13	3511880081	Grid LH	1
14	3511880049 ¹	L-Arm	2
15	3178000001 ¹	Anchor Bracket	2
16	3551000026	T-Handle	2
17	7691000011	Hitch Pin w/Cable	2
18	7894000002	Ratchet	2
19	7118182418 ¹	Capscrew	2
20	7660181630 ¹	Locknut	2
21	7950180153 ¹	Washer	2
22	4691000188	Pin	4
23	7843000006	Spring	4
24	4254000006	Cap	4
25	4763000184	Rod	4

A - HPL Application

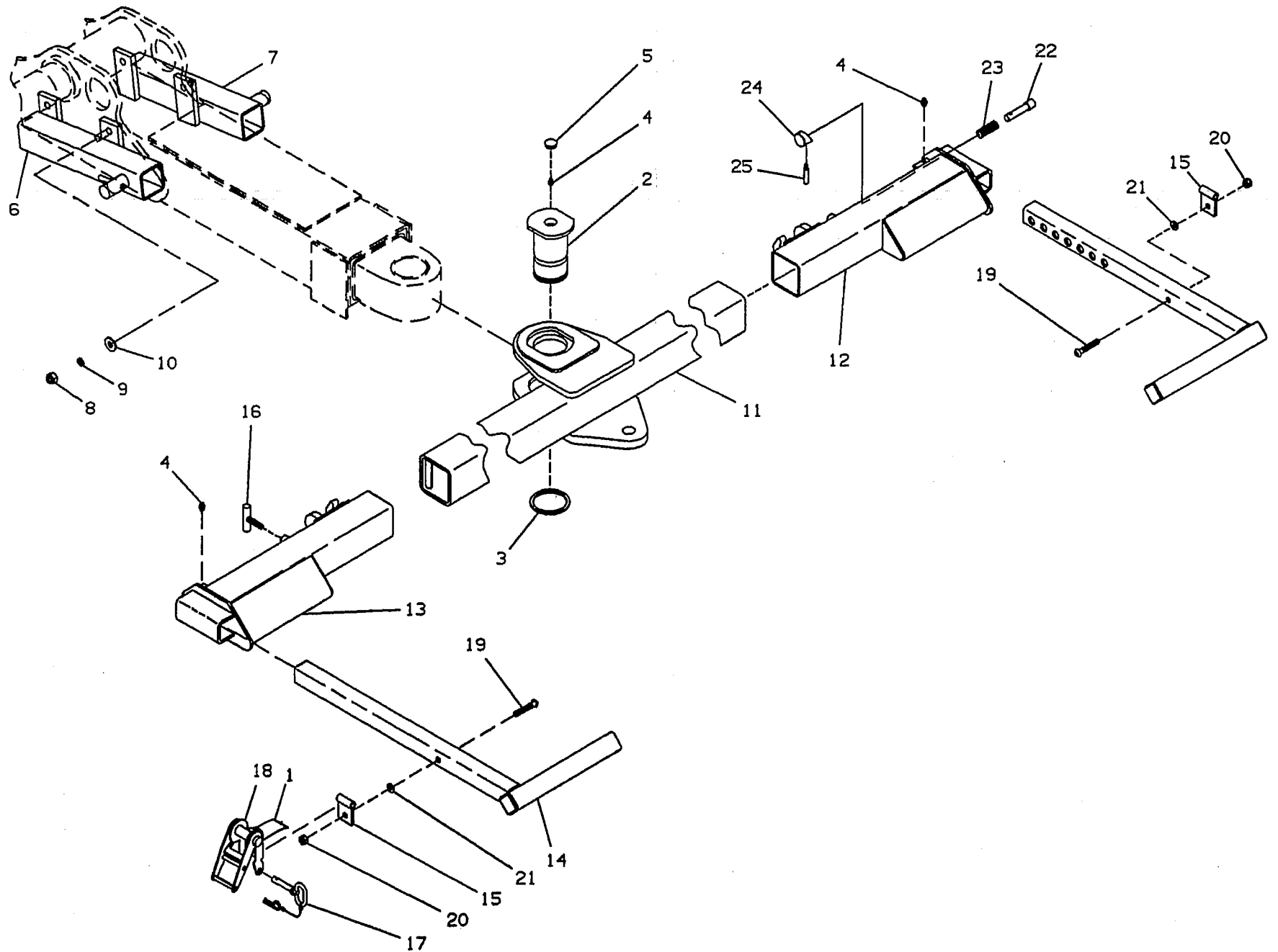
B - RTS Application

¹ Available in Service Part Kit #9577000002

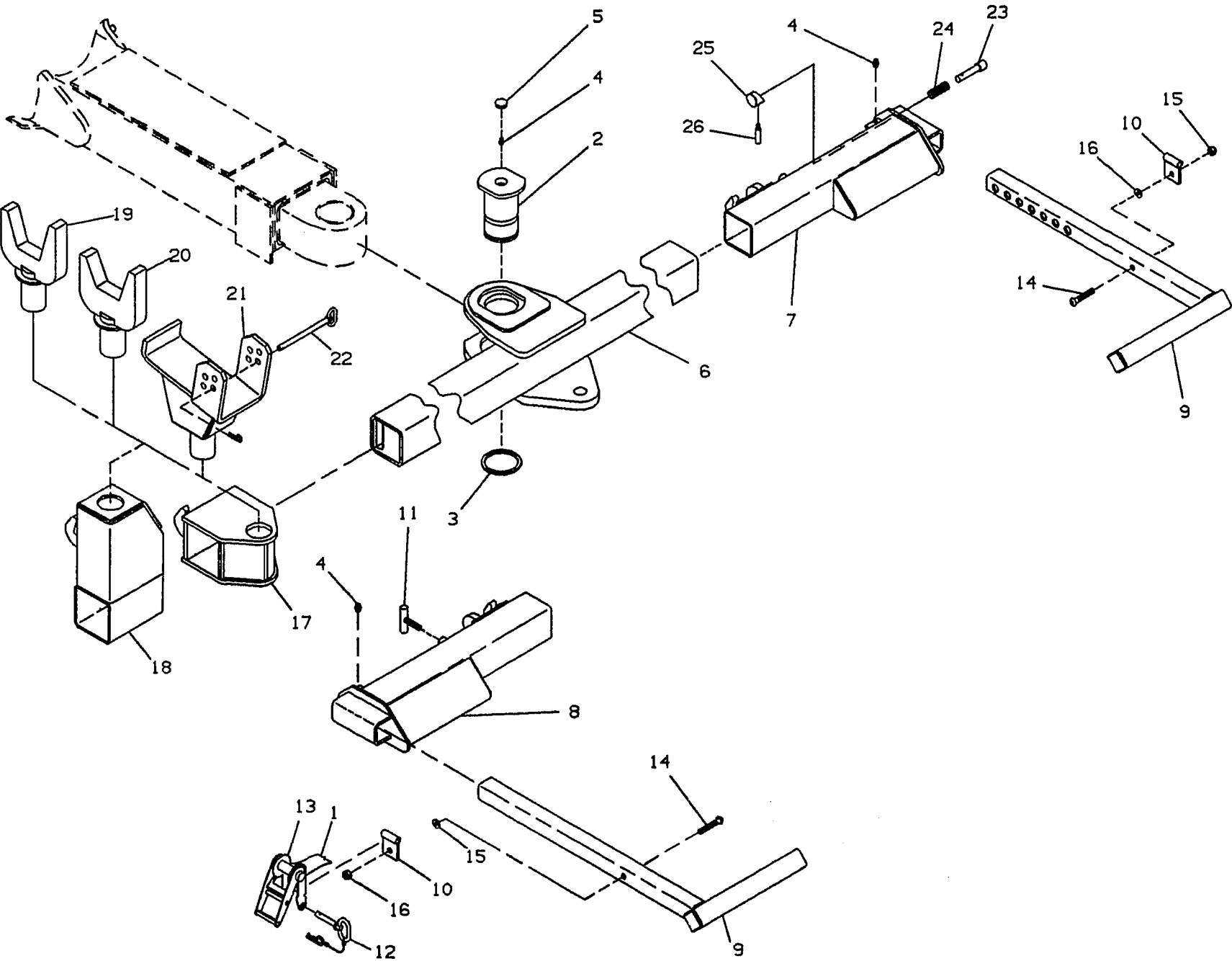
Rev. 1

Date 10-1-95

LIGHT DUTY L-ARM GRID



MEDIUM DUTY L-ARM GRID



Rev. 1

Date 10-1-95

PARTS LIST - MEDIUM DUTY L-ARM GRID

Ref. No.	Part No.	Description	Qty.
1	9822420001	Strap	2
2	4691000103	Pin	1
3	7754000024	Retaining Ring	1
4	7440030000	Grease Fitting	2
5	7701000007	Hole Plug	1
6	3512880076	Pivot Tube	1
7	3512880074	Grid RH	1
8	3512880075	Grid LH	1
9	3512880029 ¹	L-Arm	2
10	3178000123 ¹	Anchor Bracket	2
11	3551000026	T-Handle	6
12	7691000011	Hitch Pin w/Cable	2
13	7894000022	Ratchet	2
14	7118183218 ¹	Capscrew	2
15	7660181630 ¹	Locknut	2
16	7950180153 ¹	Washer	2
17	3512880010	Fork Adapter, RH	1
	3512880011	Fork Adapter, LH	1
18	3512880013	Raised Fork Adapter, LH	1
	3512880012	Raised Fork Adapter, RH	1
19	3512880014	Small Frame Fork	2
20	3512880015	Large Frame Fork	2
21	3512880016	Spring Attachment	2
22	7691000017	Pin w/Hair Pin	2
23	4691000188	Pin	2
24	7843000006	Spring	2
25	4254000006	Cap	2
26	4763000184	Rod	2

¹ Available in Service Part Kit #9577030077

Rev. 1

Date 10-1-95

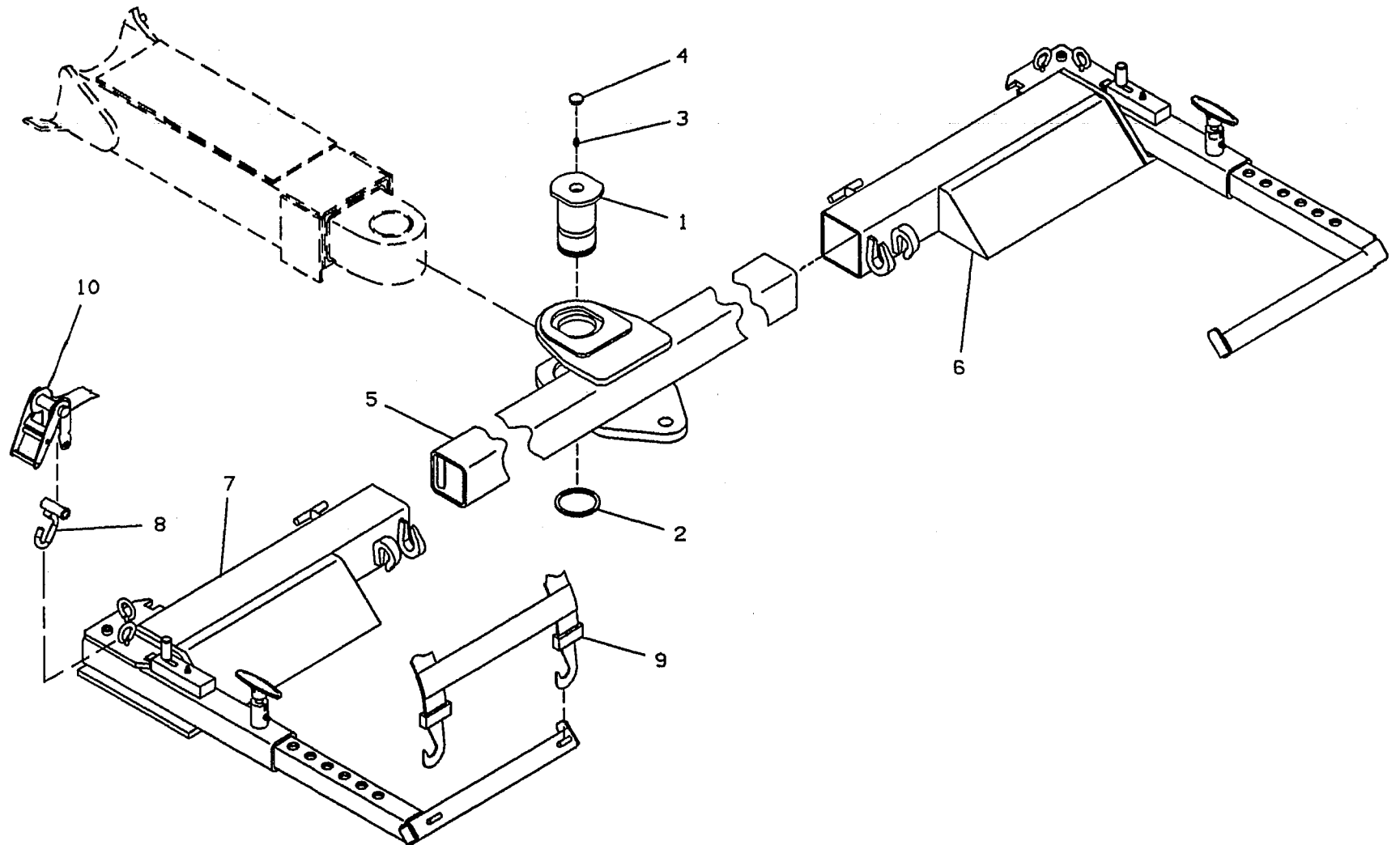
**PARTS LIST - LIGHT DUTY
SWING AROUND GRID**

Ref. No.	Part No.	Description	Qty.
1	4691000103	Pin	1
2	7754000024	Retaining Ring	1
3	7440030000	Grease Fitting	1
4	7701000007	Hole Plug	1
5	3511880082	Pivot Tube	1
6	3752000014	Swing Around Restraint, RH	1
7	3752000013	Swing Around Restraint, LH	1
8	3561000003	Wheel Hook	2
9	7894000021	Strap	2
10	7894000022	Ratchet	2

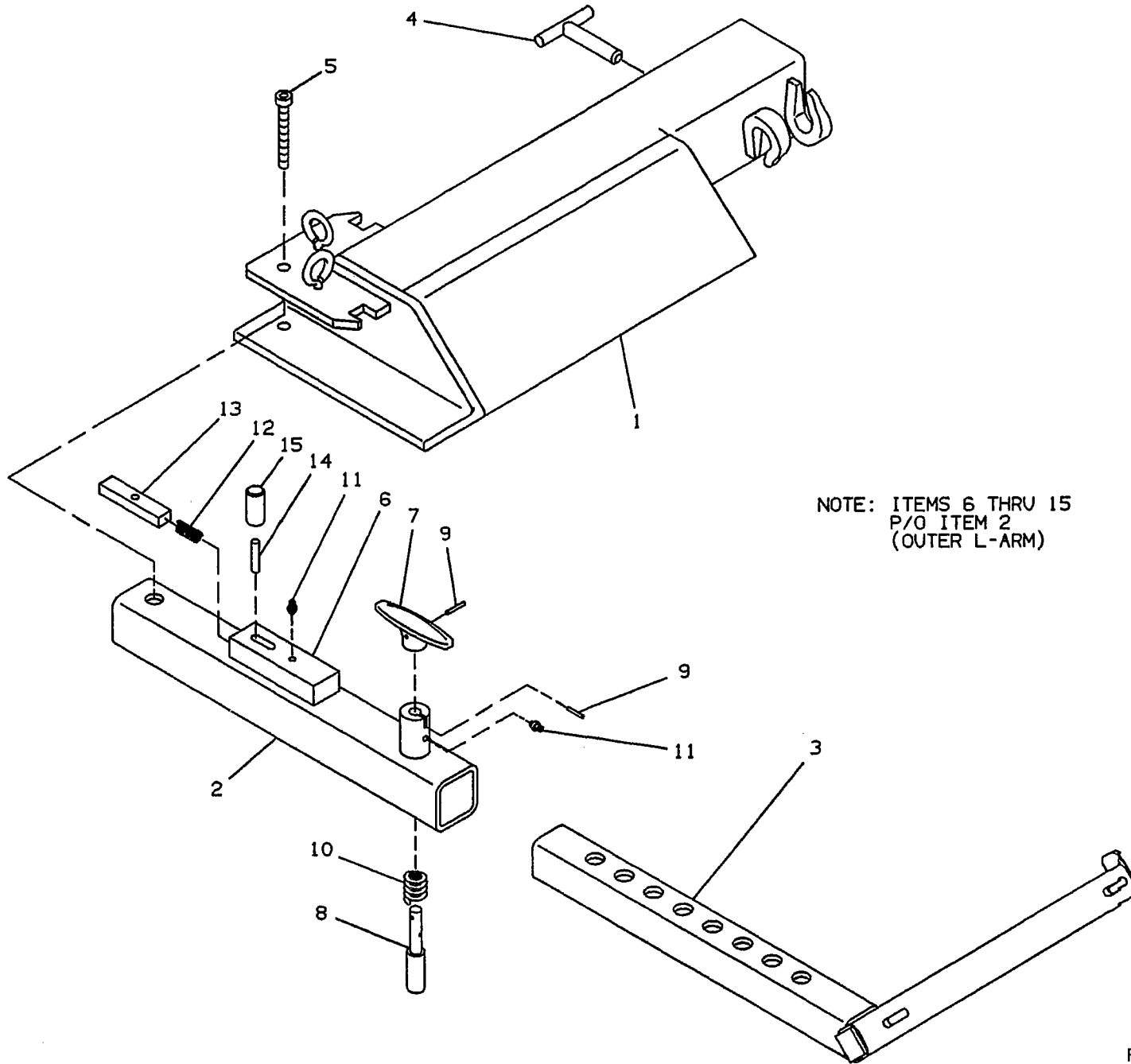
Rev. _____

Date _____

LIGHT DUTY SWING AROUND GRID



STANDARD SWING AROUND RESTRAINT
375200013
375200014



PARTS LIST - STANDARD SWING AROUND RESTRAINT
3752000013
3752000014

Ref.No.	Part No.	Description	Qty.
1	3752000005	Swing Around Restraint, LH	1
	3752000006	Swing Around Restraint, RH	1
2	3020000015	Outer L-Arm	1
3	3020000012	L-Arm, RH	1
	3020000013	L-Arm, LH	1
4	3551000026	T-Handle	1
5	7120000017	Capscrew	1
6*	3020000014	Outer L-Arm	1
7*	4551000005	T-Handle	1
8*	4691000154	Pin	1
9*	7690081645	Spring Pin	2
10*	7843000013	Compression Spring	1
11*	7440030000 ¹	Grease Fitting	3
12*	7843000012 ¹	Compression Spring	1
13*	9585420006 ¹	Latch	1
14*	7690152445	Spring Pin	1
15*	9551420016 ¹	Handle Latch Release	1

* Part of Item 2 (Outer L-Arm)

¹ Available in Service Part Kit #9577420085

Rev. 1

Date 10-1-95

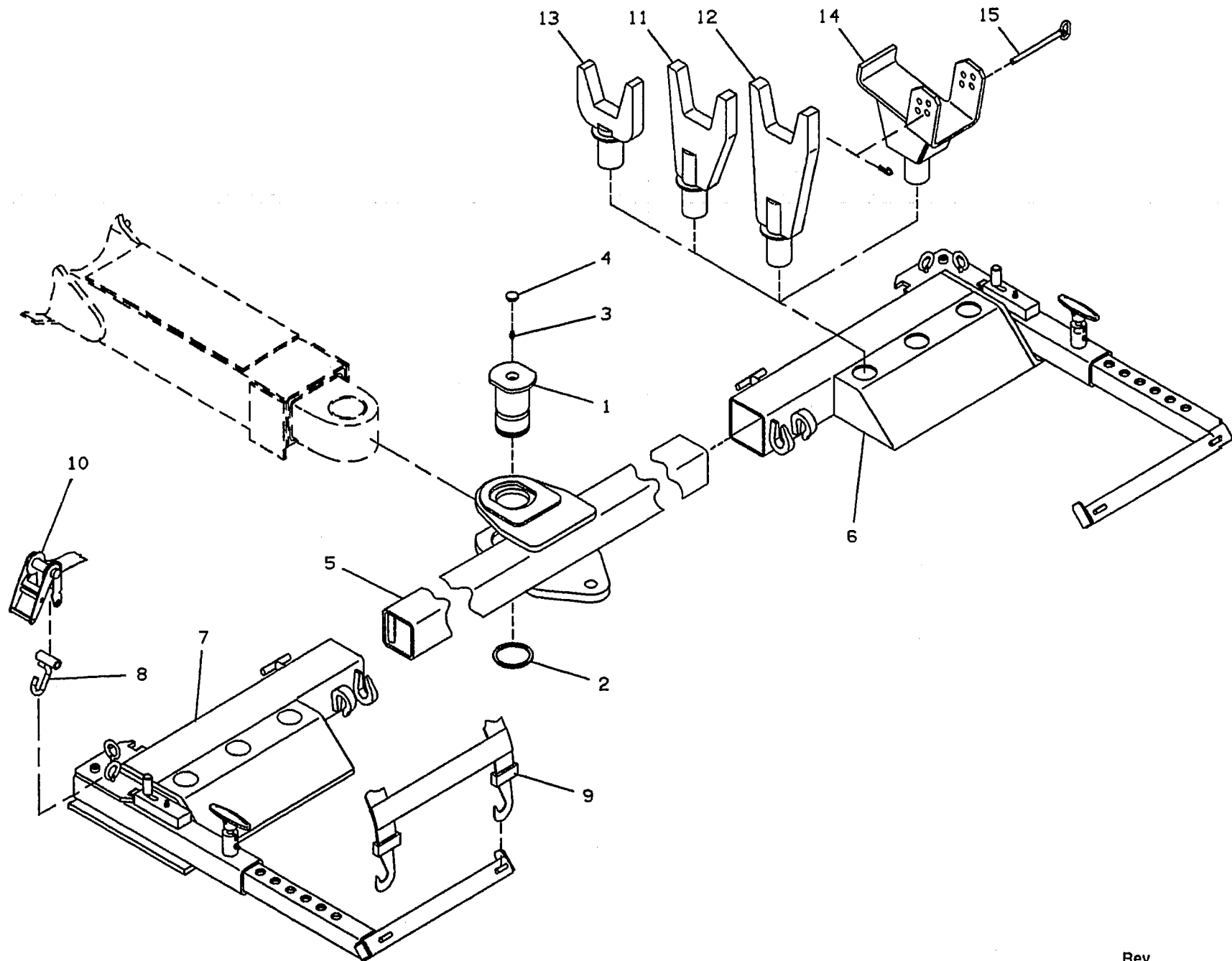
**PARTS LIST - LIGHT AND MEDIUM DUTY
SWING AROUND GRID WITH
LIFT ATTACHMENTS**

Ref. No.	Part No.	Description	Qty.
1	4691000103	Pin	1
2	7754000024	Retaining Ring	1
3	7440030000	Grease Fitting	1
4	7701000007	Hole Plug	1
5	3511880082	Light Duty Pivot Tube	1
	3512880076	Medium Duty Pivot Tube	1
6	3752000016	Swing Around Restraint, RH	1
7	3752000015	Swing Around Restraint, LH	1
8	3561000003	Wheel Hook	2
9	7894000021	Strap	2
10	7894000022	Ratchet	2
11	3454000001	Medium Frame Fork	2
12	3454000002	High Frame Fork	2
13	3512880014	Small Frame Fork	2
14	3512880016	Spring Attachment	2
15	7691000017	Pin w/Hair Pin	2

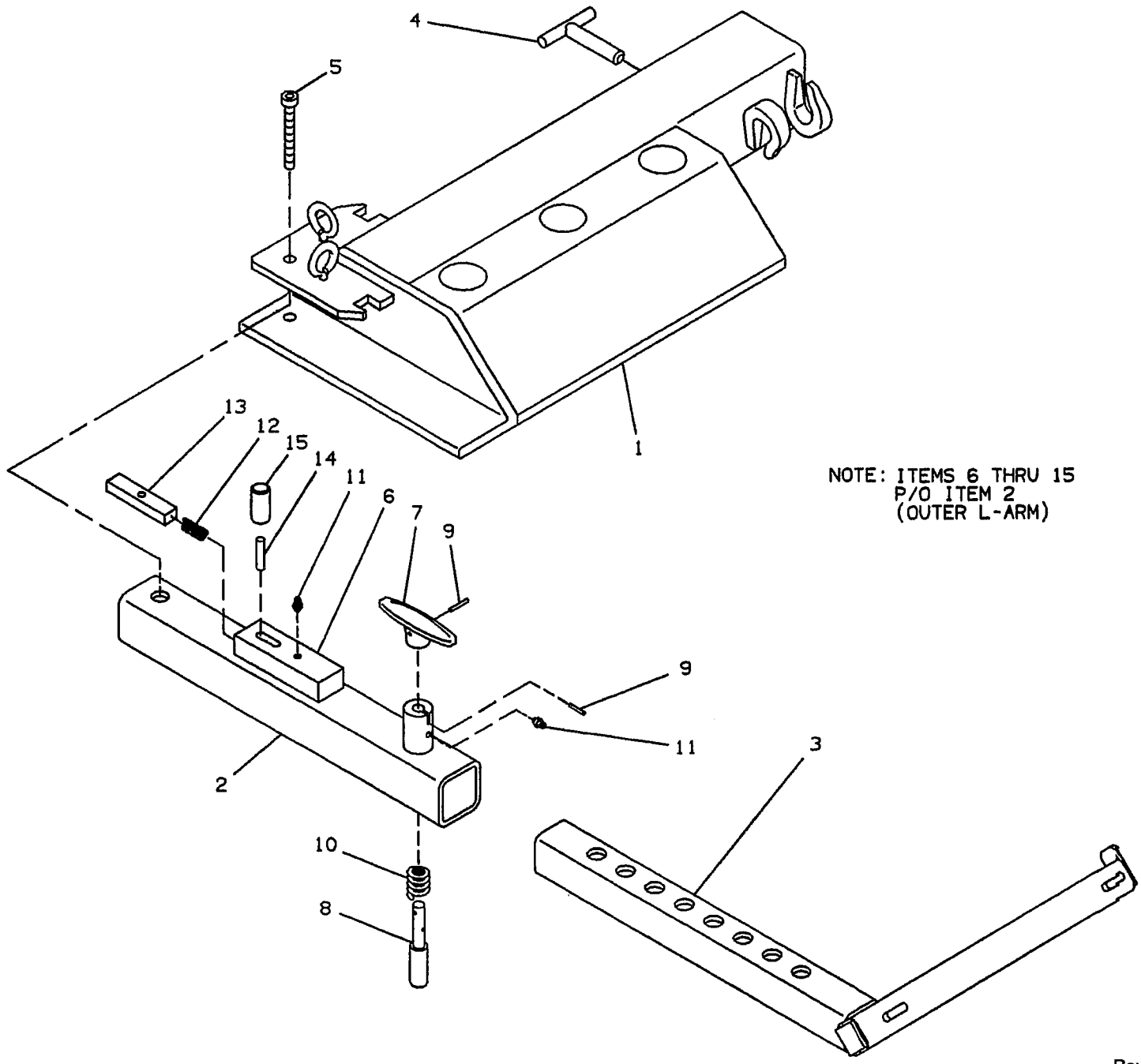
Rev. _____

Date _____

LIGHT AND MEDIUM DUTY SWING AROUND GRID WITH LIFT ATTACHMENTS



SWING AROUND RESTRAINT FOR LIFT ATTACHMENTS
3752000015
3752000016



NOTE: ITEMS 6 THRU 15
P/O ITEM 2
(OUTER L-ARM)

**PARTS LIST - SWING AROUND RESTRAINT
FOR LIFT ATTACHMENTS
3752000015
3752000016**

Ref. No.	Part No.	Description	Qty.
1	3752000007	Swing Around Restraint, LH	1
	3752000008	Swing Around Restraint, RH	1
2	3020000015	Outer L-Arm	1
3	3020000012	L-Arm, RH	1
	3020000013	L-Arm, LH	1
4	3551000026	T-Handle	1
5	7120000017	Capscrew	1
6*	3020000014	Outer L-Arm	1
7*	4551000005	T-Handle	1
8*	4691000154	Pin	1
9*	7690081645	Spring Pin	2
10*	7843000013	Compression Spring	1
11*	7440030000 ¹	Grease Fitting	3
12*	7843000012 ¹	Compression Spring	1
13*	9585420006 ¹	Latch	1
14*	7690152445	Spring Pin	1
15*	9551420016 ¹	Handle Latch Release	1

* Part of Item 2 (Outer L-Arm)

¹ Available in Service Part Kit #9577420085

Rev. 1

Date 10-1-95

PARTS LIST - POWER GRID™ INSTALLATION

Ref. No.	Part No.	Description	Qty.
1	3831000022	Wheel Spacer, RH	1
2	7440030000	Grease Fitting	1
3	7754000040 ¹	Ring	1
4	3691000125 ¹	Pin Weldment	1
5	7843000006 ¹	Compression Spring	1
6	7950150151 ¹	Flat Washer	1
7	7690051640 ¹	Spring Pin	1
8	4691000198	Pin	1
9	3484000027	Wheel Grid Assembly	1
10	3894000002	Tie Strap Assembly	2
11	3561000004 ²	Hook Weldment	1
12	7894000028 ²	Ratchet	1
13	7894000026 ²	Tie Strap	1
14	7754000024	Retaining Ring	1
15	3831000021	Wheel Spacer, LH	1
16	7690051640 ³	Spring Pin	1
17	7754000040 ³	Ring	1
18	3691000125 ³	Pin Weldment	1
19	7843000006 ³	Compression Spring	1
20	7950150151 ³	Flat Washer	1
21	7701000007	Hole Plug	1

¹ Part of item 1 (Wheel Spacer, RH)

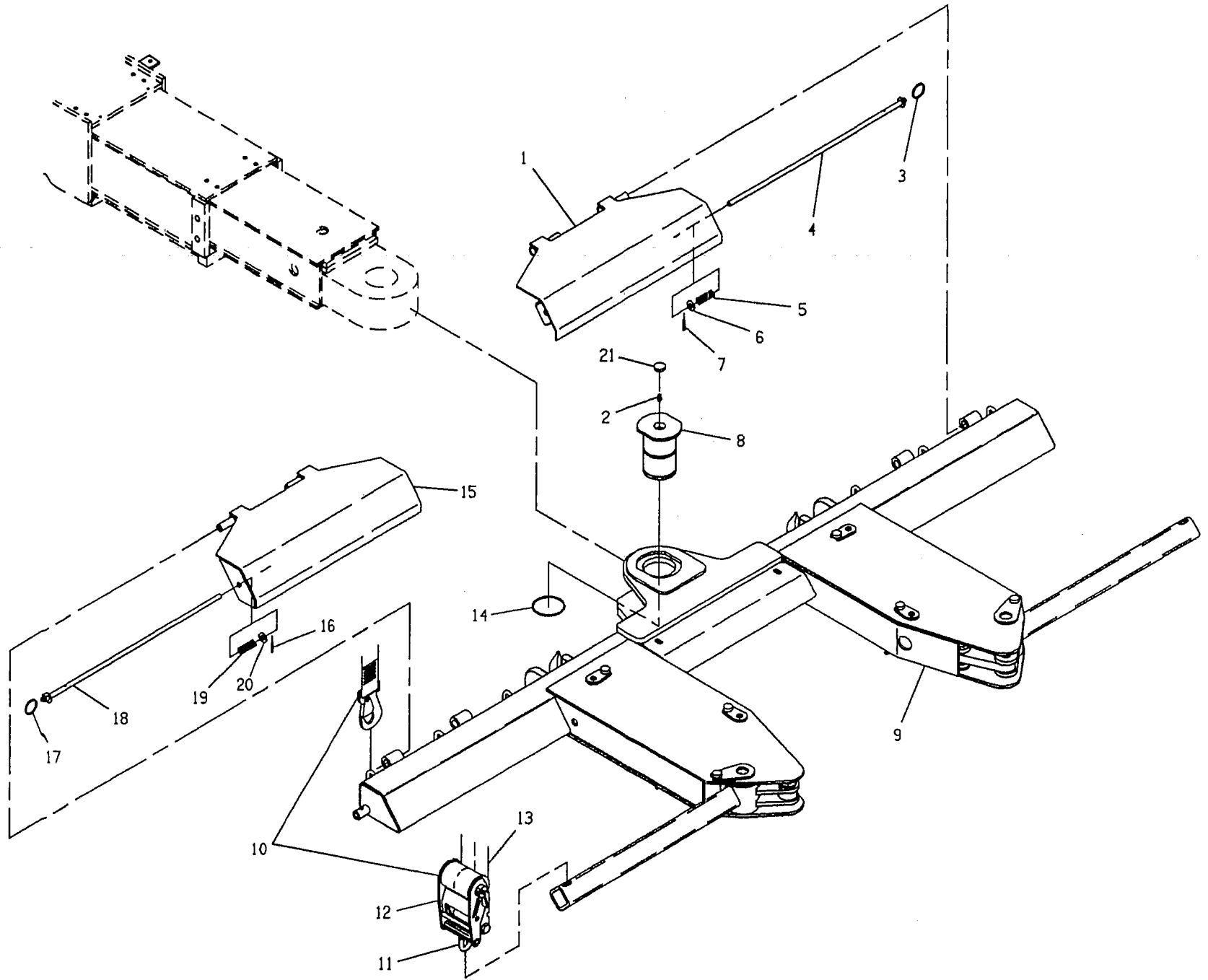
² Part of item 10 (Tie Strap Assembly)

³ Part of item 14 (Wheel Spacer, LH)

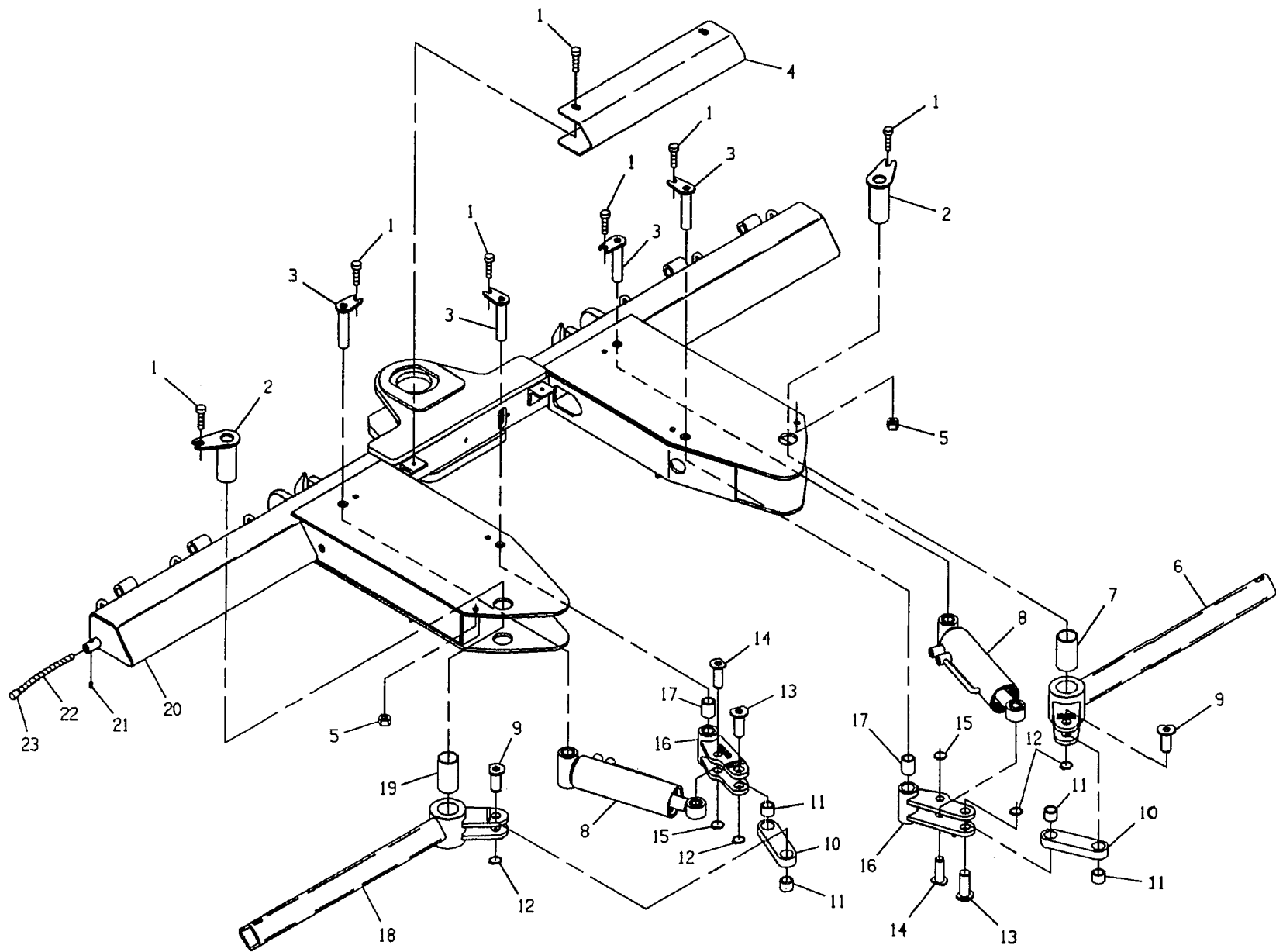
Rev. 2

Date 2-15-96

POWER GRID™ INSTALLATION



POWER GRID™ ASSEMBLY



PARTS LIST - POWER GRID™ ASSEMBLY

Ref. No.	Part No.	Description	Qty.
1	7120000022	Flange Head Screw	8
2	3691000120	Pin Weldment	2
3	3691000121	Pin Weldment	4
4	4314000033	Cover Plate	1
5	7660162601	Locknut	4
6	3020000035	Straight Arm Weldment, RH	1
7	7211000002 ¹	Bushing	1
8	3320000050	Grid Cylinder	2
9	3691000123	Pin Weldment	2
10	3592000017	Single Link	2
11	7209000019 ²	Bronze Bushing	4
12	7754000022	Retaining Ring	4
13	3691000124	Pin Weldment	2
14	3691000122	Pin Weldment	2
15	7754000038	Snap Ring	2
16	3592000016	Pivot Link Weldment	2
17	7209000020 ³	Bronze Bushing	4
18	3020000036	Straight Arm Weldment, LH	1
19	7211000002 ⁴	Bushing	1
20	3484000026	Grid Weldment	1
21	7785140400	Set Screw	2
22	4843000001	Marker Spring	1
23	7254000006	Black Cap	1

¹ Part of item 6 (Straight Arm Weldment, RH)

² Part of item 10 (Single Link)

³ Part of item 16 (Pivot Link Weldment)

⁴ Part of item 18 (Straight Arm Weldment, LH)

Rev. 2

Date 2-15-96

**PARTS LIST - GRID CYLINDER
3320000050**

Ref. No.	Part No.	Description	Qty.
1	3071000047	Barrel Weldment	1
2	7209000020 ¹	Bronze Bushing	2
3	7660202031	Hex Nut	1
4	7754000030 ³	Wear Ring	2
5	7796000026 ³	Piston Seal	1
6	4698000011	Piston	1
7	7755214609 ³	Backup Ring	2
8	7755214000 ³	O-Ring	1
9	7754000001 ³	Retaining Ring	1
10	7755327000 ³	O-Ring	1
11	7755327609 ³	Backup Ring	1
12	4553000011	Head	1
13	7754000036 ³	Wear Ring	1
14	7796000023 ³	Rod Seal	1
15	7796000005 ³	Wiper	1
16	7754000025 ³	Retaining Ring	1
17	3763000069	Rod Weldment	1
18	7209000021 ²	Bronze Bushing	1

¹ Part of item 2 (Barrel Weldment)

² Part of item 17 (Rod Weldment)

³ Available only in Seal Kit No. 7577250023

Rev. 1

**GRID CYLINDER
332000050**

