

**8DMRW
DECK MOUNTED RECOVERY WINCH
PARTS**

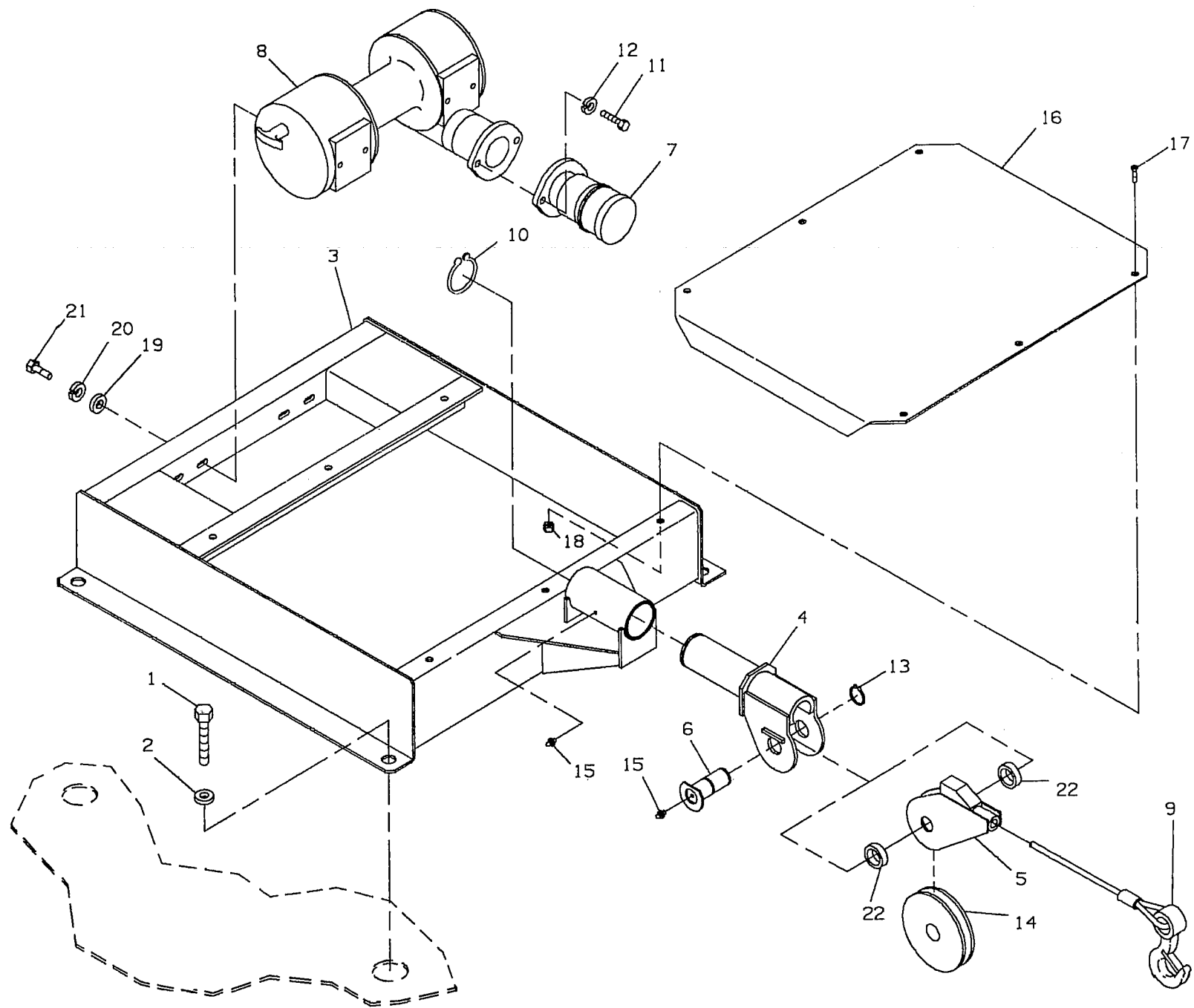
PARTS LIST — DECK MOUNTED RECOVERY WINCH

Ref. No.	Part No.	Description	Qty.
1	7115241250	Capscrew	4
2	7950240000	Lockwasher	4
3	3502900010	Winch Mount	1
4	3512900006	Sheave Support	1
5	3510900068	Cable Guide	1
6	3691000002	Pin	1
7	7626000008	Orbit Motor	1
8	7970000002	8,000# Winch	1
9	7248000001	Cable	1
10	7754000005	Retaining Ring	1
11	7111181050	Capscrew	2
12	7950180400	Lockwasher	2
13	7754000006	Retaining Ring	1
14	7809000001	Wire Rope Sheave	1
15	7440030000	Grease Fitting	2
16	4314000004	Cover Plate	1
17	7114140823	Capscrew	6
18	7661000006	Well Nut	6
19	7950160161	Washer	8
20	7950160000	Lockwasher	8
21	7115160850	Capscrew	8
22	4209000019	Bushing	2

Rev. _____

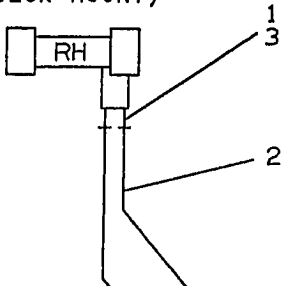
Date _____

DECK MOUNTED RECOVERY WINCH

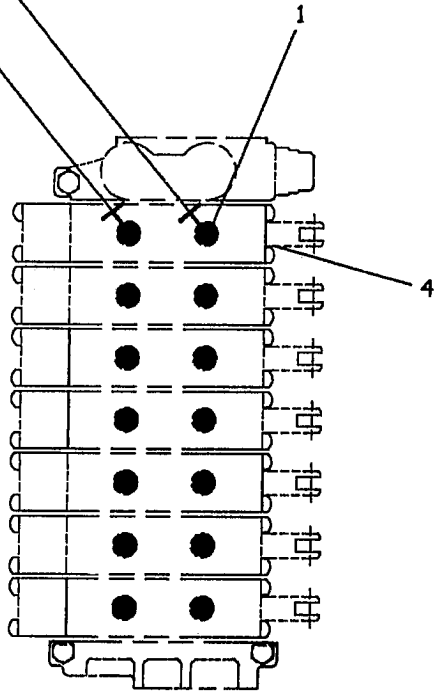


HYDRAULIC COMPONENTS

WINCH
(DECK MOUNT)



DIRECTIONAL
CONTROL VALVE



Ref. No.	Part No.	Description	Qty.
1	7445081043	Adapter	4
2	4567332075	Hose	2
3	7443000023	Elbow	2
4	7935000076	Valve Relief Cartridge	1

Rev. 1

E-5

Date 6-1-96

PARTS LIST — 8,000# WINCH

Ref. No.	Part No.	Description	Qty.
1	276028	Shift	1
2	300057	Adapter	1
3	302809	Angle	2
	302810	Angle	2
4	316083	Bearing Cap	1
5	324160	Jaw Clutch	1
6	328134	Cover	1
7	332007	Drum	1
	332105	Drum	1
8	334161	Gear R.H.	1
	334163	Gear R.H.	1
	334165	Gear R.H.	1
9	336010	Handle	1
10	338208	Clutch Housing	1
11	338273	Gear Housing	1
12	342027	Key	1
13	357479	Drum Shaft	1
	357481	Drum Shaft	1
14	368002	Worm R.H.	1
	368007	Worm R.H.	1
	368011	Worm R.H.	1
15	402002	Ball Bearing	2
16	412003	Bushing	4
17	412045	Bushing	1
18	414038	Capscrew	10
19	414045	Capscrew	4
20	414279	Capscrew	2
21	414282	Capscrew	6
22	414842	Capscrew	4
23	414952	Capscrew	2
24	416030	Setscrew	1
25	416059	Setscrew	1
26	418177	Lockwasher	8
27	418218	Lockwasher	2
28	431008	Coupling	1
29	438014	Brake Disc	1
30	442184	Gasket	2
31	442205	Gasket	1
32	450006	Key	2
33	450016	Key	4
34	456001	Lube Fitting	2
35	456008	Relief Fitting	1
36	458050	Hydraulic Motor	1
37	468002	Reducer	1
38	468011	Pipe Plug	2
39	470033	Spirol Pin	1
40	472012	Plug	1
41	472013	Plug	1
42	486009	Oil Seal	1
43	486017	Oil Seal	1
44	494002	Spring	2

Rev. _____

Date _____

PARTS LIST — 8,000# WINCH

Ref. No.	Part No.	Description	Qty.
45	494053	Spring	1
46	518014	Thrust Washer	1
47	518015	Thrust Washer	2

Rev. _____

E-7

Date _____

8,000# WINCH

