

**STEEL
BODY PARTS
84" C.A.**

C-1

B-KE

Part Number 5-376-000012
Rev. 1

Rev. _____

Date _____

PARTS LIST — BODY - 84" C.A.

Ref. No.	Part No.	Description	Qty.
1	4706000717	Plate	4
2	7660182601	Locknut	4
3	7115181650	Capscrew	8
4	7660182301	Locknut	8
5	4706001516	Mud Cover Plate	1
6	4706001120	Mud Cover Plate	1
7	7120000016	Screw	4
8	7661000011	Locknut	4
9	7111140850	Capscrew	1
10	7660142600	Locknut	1
11	7950140161	Flatwasher	1
12	7790141056	Screw	6
13	4017000553	Angle	2
14	3097000063	Steel Body - 84" C.A.	1
15	4679000080	Rubber Pad	1
16	4679000081	Rubber Pad	1
17	4679000082	Rubber Pad	1
18	7701000003	Hole Plug	3
19	7595000002	Paddle Handle Lock	2
20	7595000001	Paddle Handle Lock w/Strikers	2
21	7114080418	Capscrew	16
22	7660082500	Locknut	16
23	3706000039	Door Plate	2
24	3706000040	Door Plate	2
25	7118160516	Bolt	8
26	7660162301	Locknut	8
27	7759000001	Rivet	16
28	4763000160	Lock Rod	4
29	4679000083	Rubber Pad	1
30	4679000092	Rubber Pad	1
31	7330000001	Serial Number Tag	1
32	7330000166(A)	Cover Plate	2
	7314000002(B)	Cover Plate	2
33	7759000004	Rivet	4
34	7790141076	Screw	8
35	3556000022	D-Ring	2
36	4314000029	Guard Plate, R.H.	1
37	4314000030	Guard Plate, L.H.	1
38	7759000007	Rivet	8
39	4017000492	Mounting Angle, L.H. - 19"	1
	4017000494	Mounting Angle, L.H. - 21"	1
	4017000496	Mounting Angle, L.H. - 24"	1
40	4706001123	Backup Plate - 19"	2
	4706001124	Backup Plate - 21"	2
	4706001125	Backup Plate - 24"	2
41	4178000073	Light Bracket	2
42	7638000003	Mud Flap - 19"	2
	7638000001	Mud Flap - 24"	2
43	7111151010	Screw	8
44	7950150161	Flatwasher	14

Rev. 1

Date 5-1-96

PARTS LIST — BODY - 84" C.A.

Ref. No.	Part No.	Description	Qty.
45	7950150000	Lockwasher	14
46	7660150000	Hexnut	14
47	7111150850	Capscrew	6
48	4017000493	Mounting Angle, R.H. - 19"	1
	4017000495	Mounting Angle, R.H. - 21"	1
	4017000497	Mounting Angle, R.H. - 24"	1
49	7259000004	Tail Light Housing	4
50	7790101611	Screw	12

A - HPL Applications

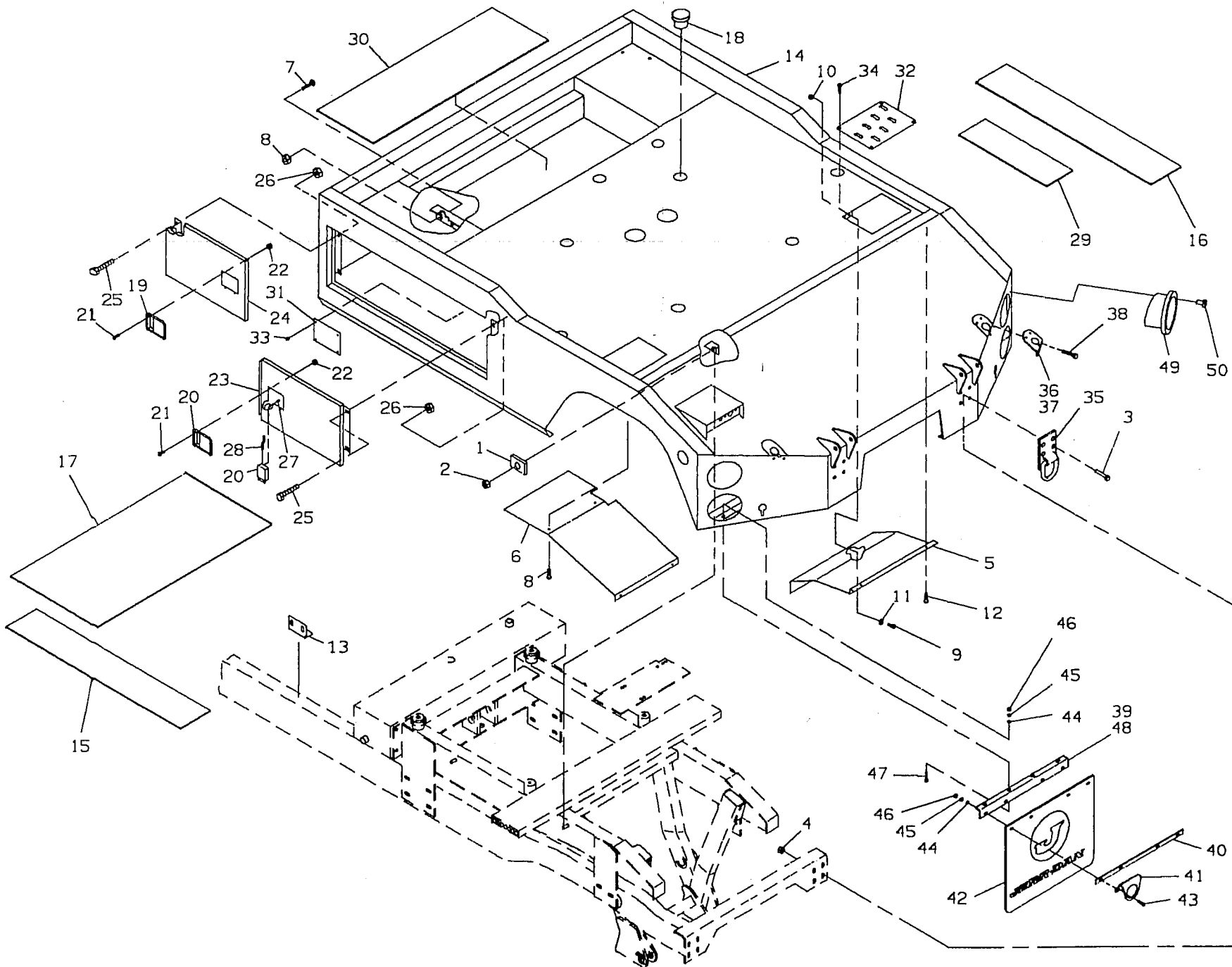
B - MPG/EPG™ Applications

Rev. 1

C-4

Date 5-1-96

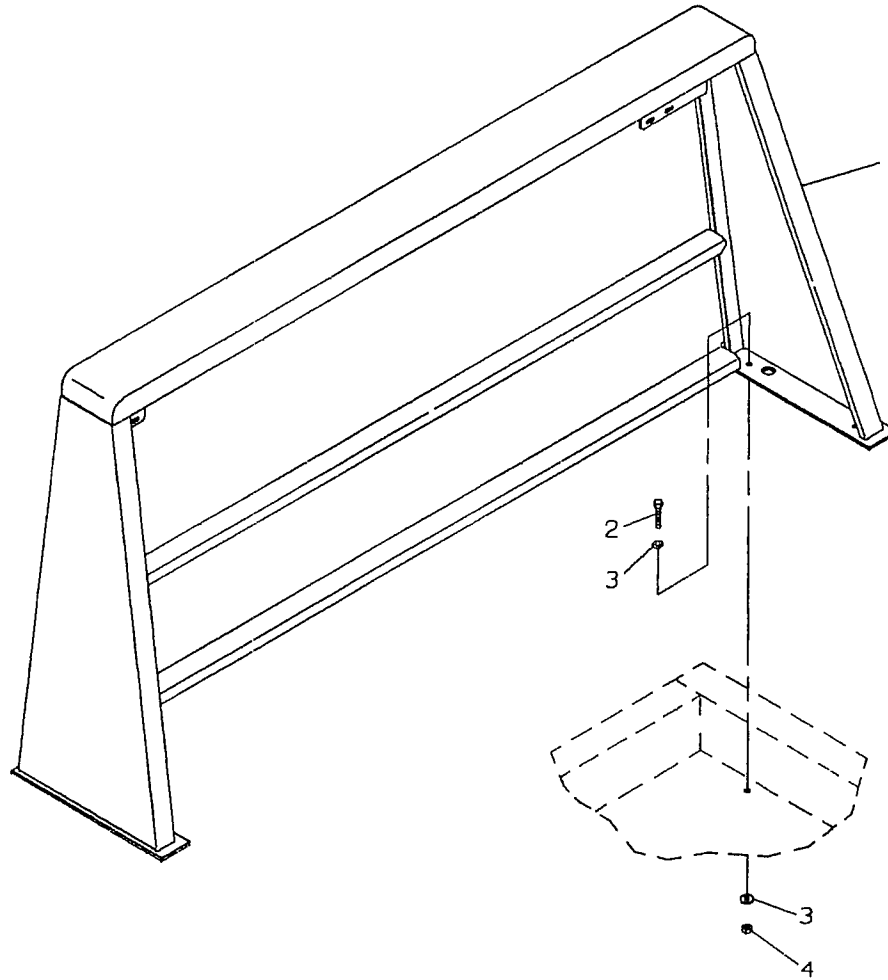
BODY - 84" C.A.



Rev. 1

Date 5-1-96

HEADBOARD
84" C.A. BODY



**PARTS LIST - HEADBOARD
84" C.A. BODY**

Ref. No.	Part No.	Description	Qty.
1	3241000034	Headboard - 24.75"	1
	3241000035	Headboard - 34"	
	3241000036	Headboard - 40"	
2	7115181450	Capscrew	4
3	7950180161	Flatwasher	8
4	7660182601	Locknut	4

Rev. 1

C-7

Date 5-1-96

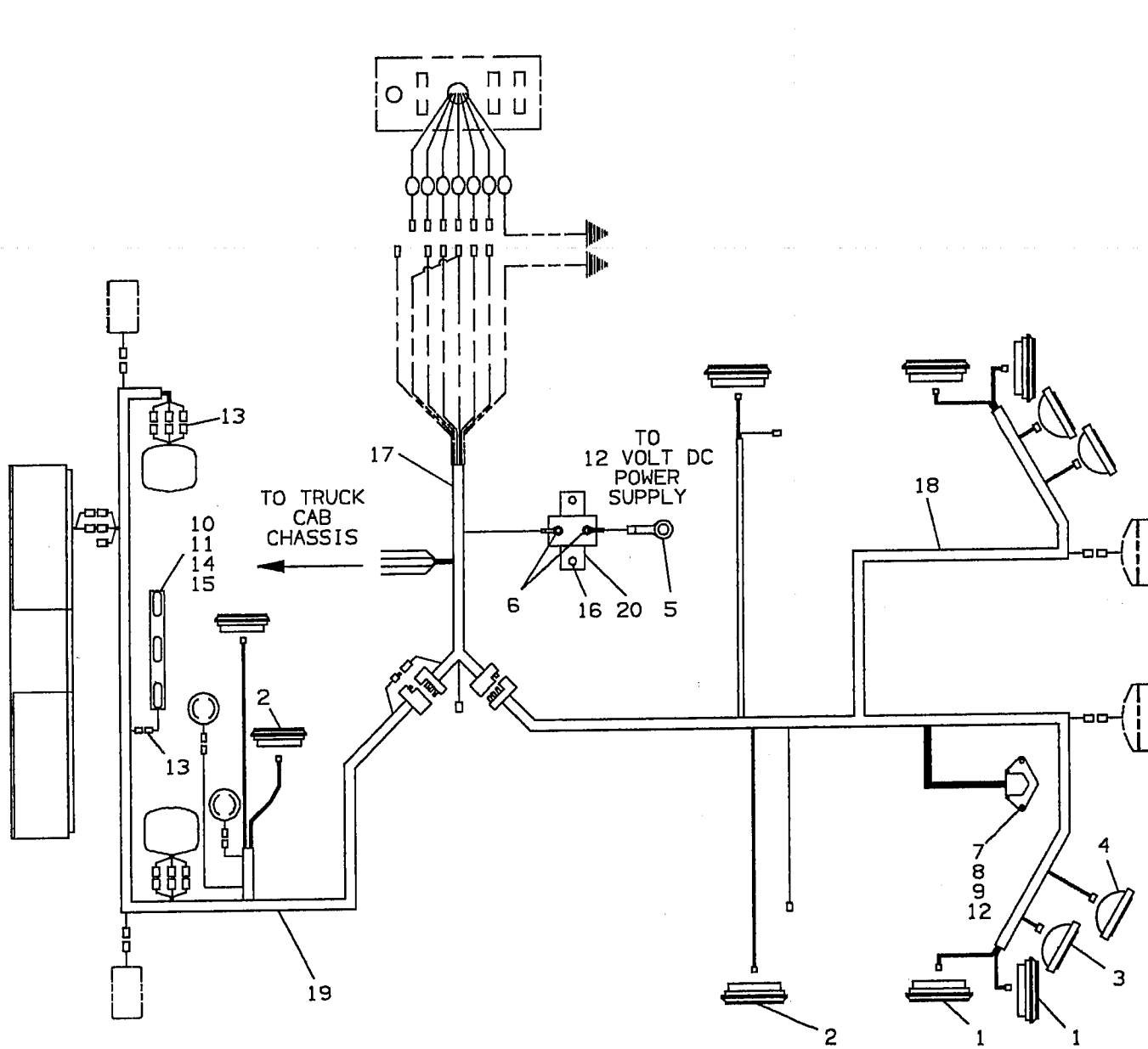
PARTS LIST — WIRING DIAGRAM

Ref. No.	Part No.	Description	Qty.
1	7590000009	Red Marker Light	4
2	7590000010	Amber Marker Light	4
3	7590000002	Stop, Turn, Tail Light	2
4	7590000003	Clear Back Up Light	2
5	7345231901	Terminal	1
6	7345211901	Terminal	2
7	7291000003	Receptacle	1
8	7111140613	Screw	2
9	7950140000	Lockwasher	2
10	7590000007	Bar Lamp	1
11	7114140818	Capscrew	2
12	7413000002	Nutsert	2
13	7345001703	Bullet Terminal	7
14	7660142600	Locknut	2
15	7950140161	Flatwasher	2
16	7790100856	Screw	2
17	7552000001	Wiring Harness	1
18	7552000043	Wiring Harness	1
19	7552000044	Wiring Harness	1
20	7457000004	Circuit Breaker	1

Rev. _____

Date _____

WIRING DIAGRAM



WIRE COLOR	FUNCTION
ORANGE	ROTATOR
BLUE	TOOL BOX
BROWN	CLEARANCE/ PARKING
WHITE	GROUND
WHITE/BLACK STRIPE	BEACON
PURPLE	FLOOD LIGHTS
RED	HAND CONTROL/ REAR WORK LIGHTS
GRAY	12VDC POWER SUPPLY
GREEN	RIGHT TURN/ STOP
BLACK	BACK UP
YELLOW	LEFT TURN/ STOP

Rev. _____

Date _____

