

**ALUMINUM  
BODY PARTS**

---

Rev. \_\_\_\_\_

C-2

Date \_\_\_\_\_

## PARTS LIST - BODY

Ref. No.	Part No.	Description	Qty.
1	3512300066	Deck	1
2	3899000018(BC)	Toolbox, LH	1
3	3899000017(C)	Toolbox, RH	1
4	4679000070(BC)	Rubber Pad	1
5	4679000069(C)	Rubber Pad	1
6	4415000009	Fender, LH	1
7	4415000010	Fender, RH	1
8	3502300020	Tail Plate, LH	1
9	3502300019	Tail Plate, RH	1
10	3502300022	Tail Piece, LH	1
11	3502300021	Tail Piece, RH	1
12	4706000948	Tail Piece	1
13	7701000003	Hole Plug	3
14	7111140650	Capscrew	9
15	4706000030	Back-up Plate	2
16	7002000011	Folding Step	2
17	7189000007(C)	Rubber Bumper	4
	7189000007(B)	Rubber Bumper	2
18	4706001518	Mud Cover Plate	1
19	7660162601	Locknut	7
20	7114140818	Capscrew	26
21	7115161050	Capscrew	37
22	7114141023	Capscrew	6
23	7660142600	Locknut	32
24	7950140161	Flatwasher	40
25	7950160161	Flatwasher	31
26	7950160000	Lockwasher	26
27	7111151013	Screw	4
28	7950150161	Flatwasher	4
29	7660152600	Hexnut	4
30	7413000002	Nutsert	12
31	7259000004	Tail Light Housing	4
32	7111140850	Capscrew	3
33	4706000397	Plate, LH	1
34	4706000398	Plate, RH	1
35	4706001094	Mud Cover Plate	1
36	7790101611	Screw	12
37	4706001519	Mud Cover Mtg Plate	1
38	7330000166(D)	Cover Plate	2
	7314000002(E)	Cover Plate	2
39	7790141076	Screw	8
40	7330000001	Serial Number Tag	1
41	7759000004	Rivets	4

Rev. 1

Date 5-1-96

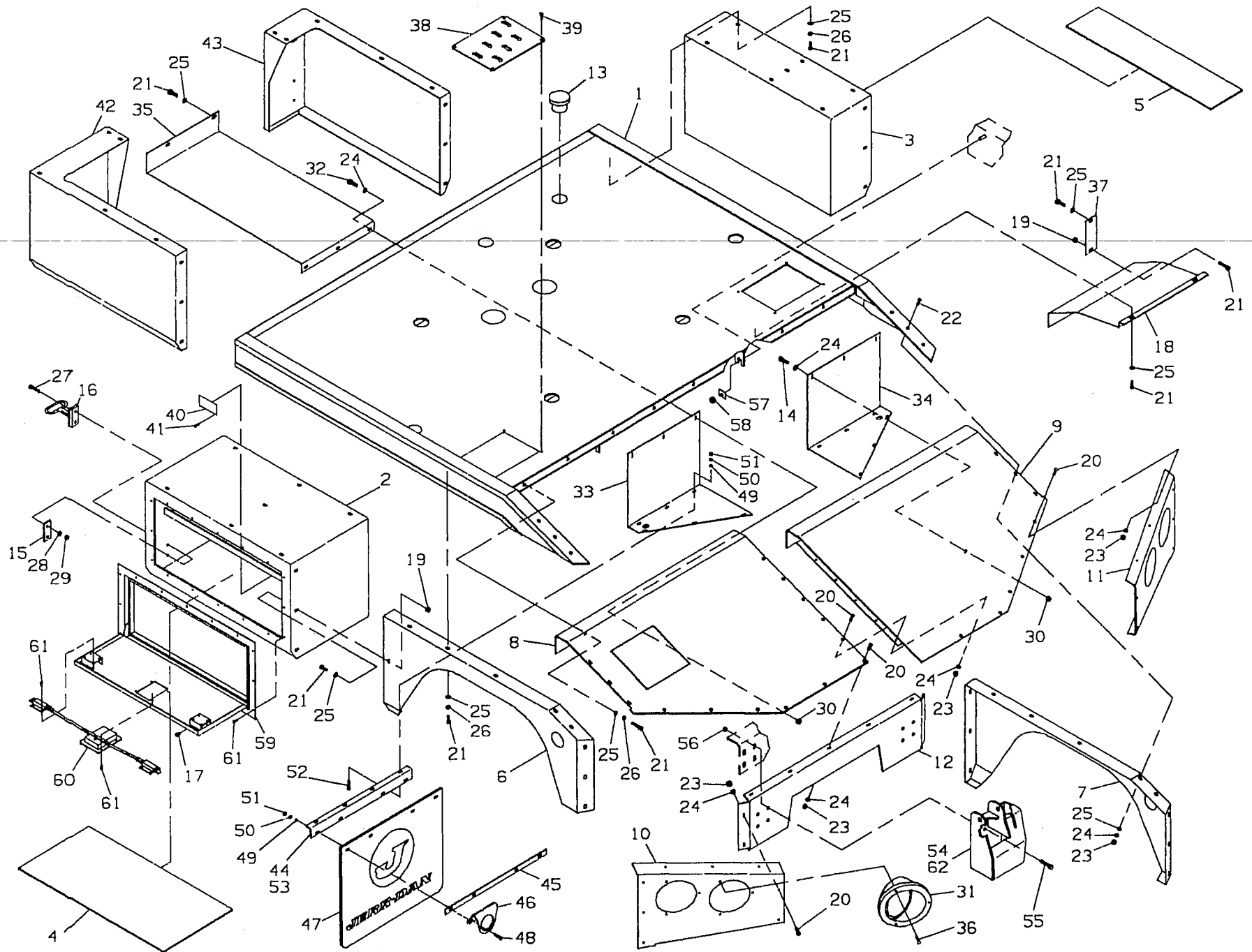
Ref. No.	Part No.	Description	Qty.
42	3686000005(A)	Body Panel, LH	1
43	3686000004(AB)	Body Panel, RH	1
44	4017000478	Mounting Angle, LH - 19"	1
	4017000479	Mounting Angle, LH - 21"	1
	4017000481	Mounting Angle - 24"	1
45	4706001123	Back-Up Plate - 19"	2
	4706001124	Back-Up Plate - 21"	2
	4706001125	Back-Up Plate - 24"	2
46	4178000073	Bracket	2
47	7638000003	Mud Flap - 19"	2
	4638000001	Mud Flap - 24"	2
48	7111151010	Machine Screw	8
49	7950150161	Flatwasher	14
50	7950150000	Lockwasher	14
51	7660150000	Hexnut	14
52	7111150850	Capscrew	6
53	4017000482	Mounting Angle, RH - 19"	1
	4017000480	Mounting Angle, RH - 21"	1
	4017000481	Mounting Angle - 24"	1
54	3708000002	Tow Sling Bracket, LH	1
55	7115181450	Capscrew	8
56	7660182301	Locknut	8
57	4706000717	Plate	4
58	7660162601	Locknut	4
59	3455000003	Door and Frame	1
60	7595000001	Paddle Handle Lock	1
61	7759000001	Rivet	32
62	3708000003	Tow Sling Bracket, RH	1

- A - Application with no toolboxes
- B - Application with Driver's Side Toolbox
- C - Application with Toolboxes, Both Sides
- D - HPL Applications
- E - MPG/EPG™ Applications

Rev. 1

Date 5-1-96

# BODY

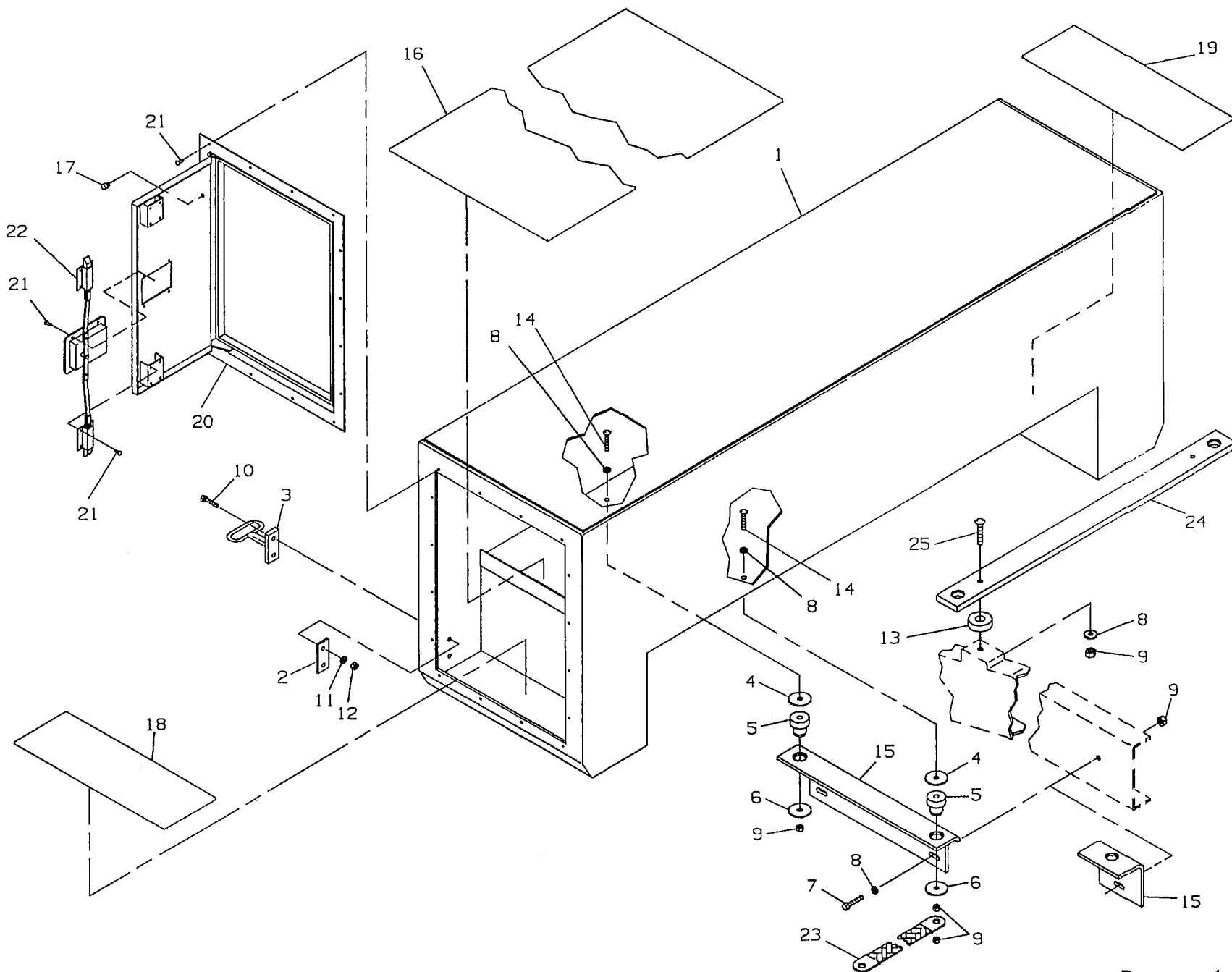


C-5

Rev. 1

Date 5-1-96

# 24" TUNNEL TOOLBOX



Rev. 1

Date 5-1-96

**PARTS LIST — 24" TUNNEL TOOLBOX**

Ref. No.	Part No.	Description	Qty.
1	3899000042	Toolbox	1
2	4706000030	Back-Up Plate	2
3	7002000011	Folding Step	2
4	7949000013	Washer	4
5	7636000005	Rubber Mount	4
6	7949000012	Washer	4
7	7115181450(A)	Capscrew	4
	7115181450(B)	Capscrew	2
8	7950180161(A)	Flatwasher	8
	7950180161(B)	Flatwasher	10
9	7660182301	Locknut	9
10	7111151013	Screw	4
11	7950150161	Flatwasher	4
12	7660152600	Hex Nut	4
13	4831000060(B)	Spacer	2
14	7115182650	Capscrew	4
15	4017000674(A)	Angle	2
	4017000675(B)	Angle	2
16	4679000107	Rubber Pad	1
17	7189000010	Rubber Bumper	4
18	4679000029	Rubber Pad, LH	1
19	4679000030	Rubber Pad, RH	1
20	3455000003	Door and Frame	1
21	7759000001	Rivet	32
22	7595000001	Paddle Handle Lock	1
23	7346000038	Grounding Strap	1
24	4706001541(B)	Plate	1
25	7115181850 (B)	Capscrew	2

A - Ford and International Applications

B - Chevy Applications

Rev. 1

Date 5-1-96

## PARTS LIST - HEADBOARD AND FOLD DOWN LIGHT BAR

Ref. No.	Part No.	Description	Qty.
1	3241000037	24.75" Aluminum Headboard	1
	3241000038	34" Aluminum Headboard	1
	3241000039	37" Aluminum Headboard	1
	3241000034	24.75" Steel Headboard	1
	3241000035	34" Steel Headboard	1
	3241000036	40" Steel Headboard	1
2	7115181450	Capscrew	4
3	7950180161(A)	Flatwasher	8
	7950180161(B)	Flatwasher	4
4	7661000006	Well Nut	8
5	7660182601(A)	Locknut	4
6	3510150025	Light Bar	1
7	3510150080	Hinge	2
8	4017000130	Angle	2
9	4017000129	Angle	2
10	7690081441	Spring Pin	4
11	7189000001	Rubber Bumper	4
12	7111101610	Machine Screw	4
13	7661000002	Hex Nut W/Lockwasher	4
14	7949000007	Flatwasher	4
15	7585000001	Flexible Draw Latch	2
16	7759000002	Pop Rivet	8
17	7114140818	Capscrew	16
18	7660142600	Hex Locknut	8
19	7950140161	Flatwasher	8

A - Tunnel Toolbox Mounted

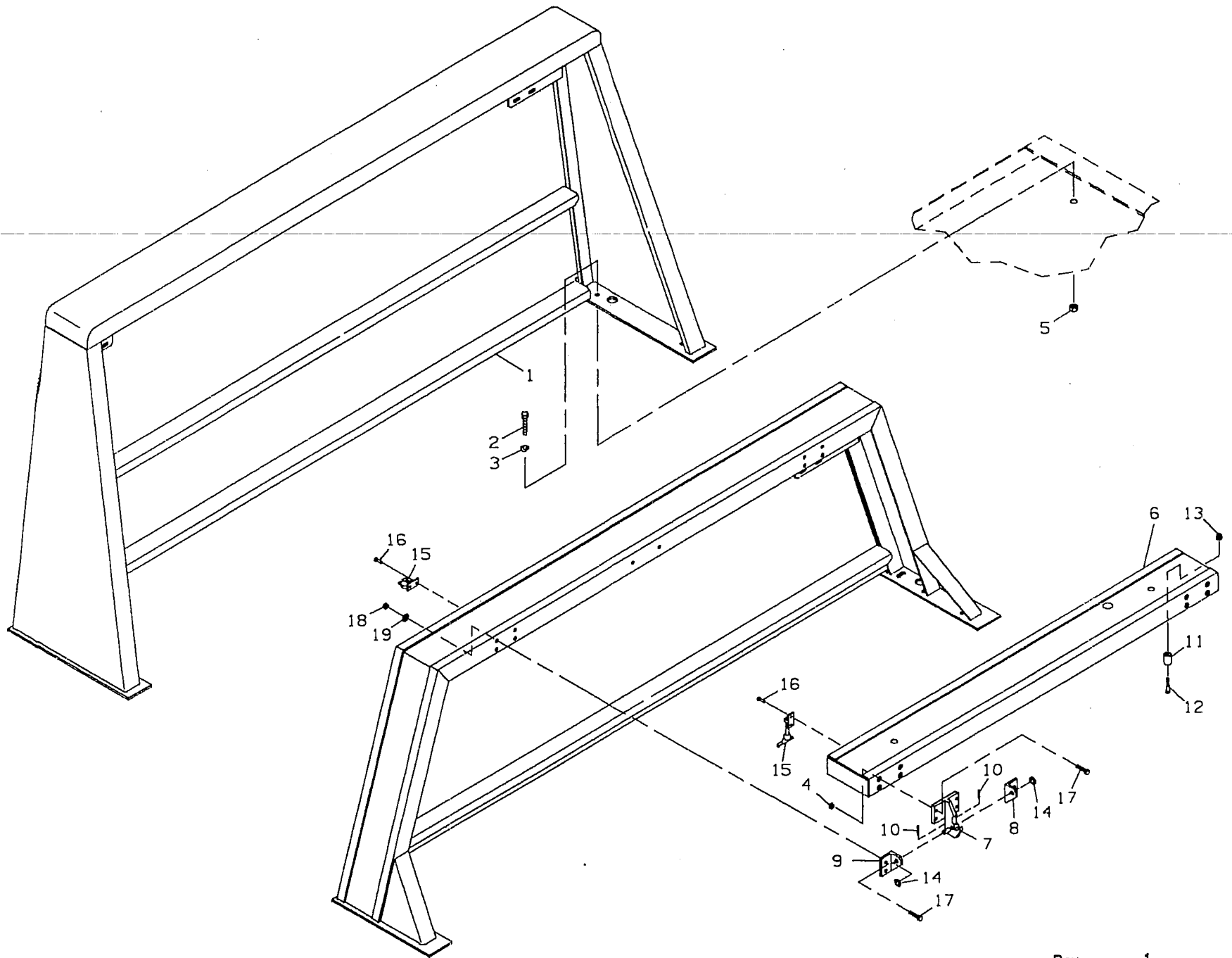
B - Deck Mounted

Rev. 1

Date 5-1-96



# HEADBOARD AND FOLD DOWN LIGHT BAR





**PARTS LIST - WIRING DIAGRAM  
60" C.A.**

<b>Ref. No.</b>	<b>Part No.</b>	<b>Description</b>	<b>Qty.</b>
1	7590000009	Red Marker Light	4
2	7590000010	Amber Marker Light	2
3	7590000002	Stop, Turn, Tail Light	2
4	7590000003	Clear Back Up Light	2
5	7457000004	Circuit Breaker	1
6	7790100856	Screw	2
7	7291000003	Receptacle	1
8	7111140613	Machine Screw	2
9	7950140000	Lockwasher	2
10	7590000007	Bar Lamp	1
11	7114140818	Capscrew	2
12	7413000002	Nutsert	2
13	7345001703	Bullet Terminal	*
14	7660142600	Locknut	2
15	7950140161	Flatwasher	2
16	7590000001	Interior Light	*
17	7790060676	Screw	*
18	7345231901	Ring Terminal	1
19	7345211901	Ring Terminal	2
20	7552000001	Wiring Harness	1
21	7552000042	Wiring Harness	1
22	7552000045	Wiring Harness	1

\* - Quantity of this item varies with optional body equipment

Rev. 1

Date 5-1-96

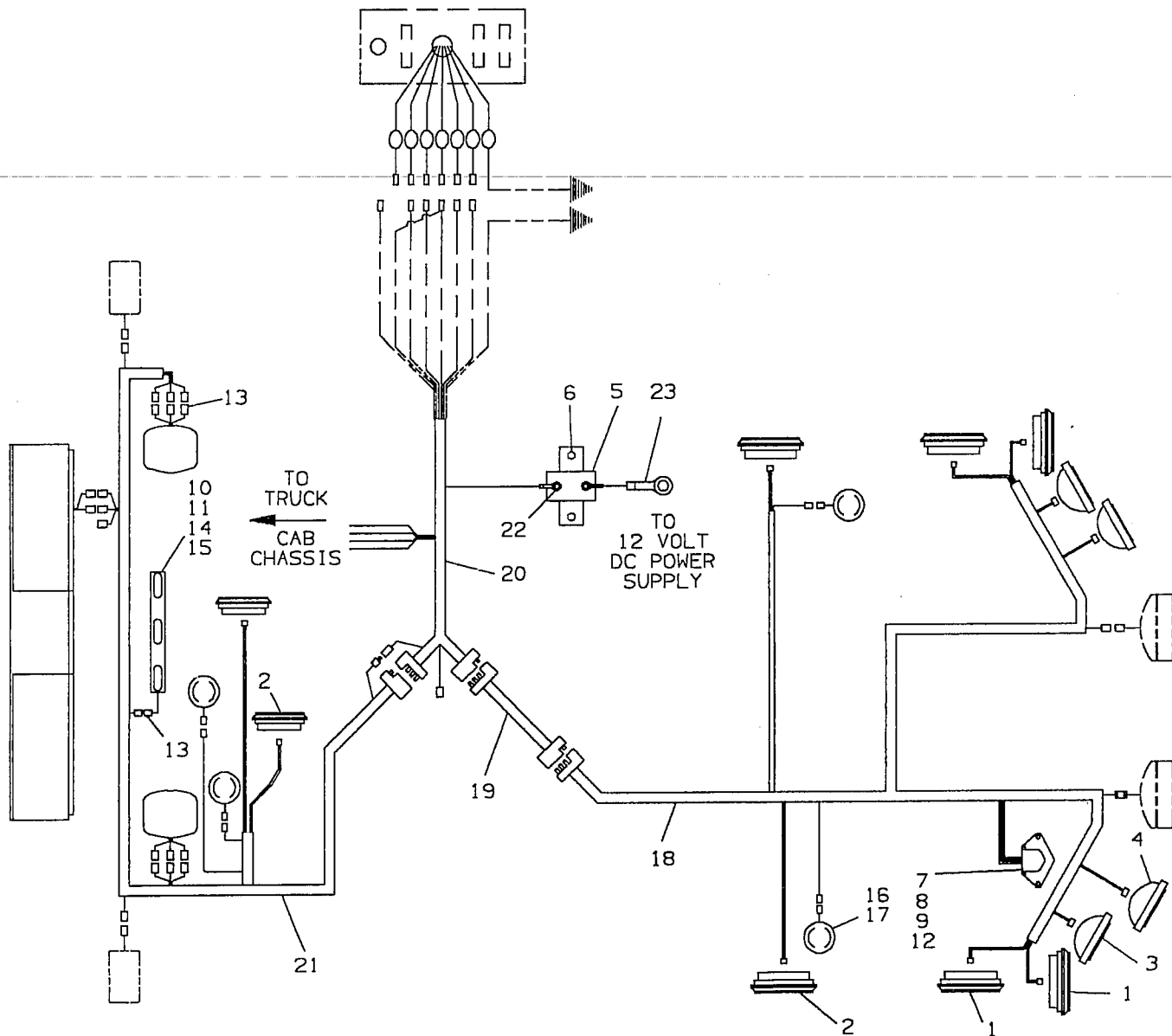
**PARTS LIST - WIRING DIAGRAM  
84" C.A.**

<b>Ref. No.</b>	<b>Part No.</b>	<b>Description</b>	<b>Qty.</b>
1	7590000009	Red Marker Light	4
2	7590000010	Amber Marker Light	2
3	7590000002	Stop, Turn, Tail Light	2
4	7590000003	Clear Back Up Light	2
5	7457000004	Circuit Breaker	1
6	7790100856	Screw	2
7	7291000003	Receptacle	1
8	7111140613	Machine Screw	2
9	7950140000	Lockwasher	2
10	7590000007	Bar Lamp	1
11	7114140818	Capscrew	2
12	7413000002	Nutsert	2
13	7345001703	Bullet Terminal	*
14	7660142600	Locknut	2
15	7950140161	Flatwasher	2
16	7590000001	Interior Light	*
17	7790060676	Screw	*
18	7552000042	Wiring Harness	1
19	7552000053	Wiring Harness Extension	1
20	7552000001	Wiring Harness	1
21	7552000044	Wiring Harness	1
22	7345211901	Ring Terminal	2
23	7345231901	Ring Terminal	1

\* - Quantity of this item varies with optional body equipment

Rev. 1

**WIRING DIAGRAM  
84" C.A.**



WIRE COLOR	FUNCTION
ORANGE	ROTATOR
BLUE	TOOL BOX
BROWN	CLEARANCE/ PARKING
WHITE	GROUND
WHITE/BLACK STRIPE	BEACON
PURPLE	FLOOD LIGHTS
RED	HAND CONTROL/ REAR WORK LIGHTS
GRAY	12VDC POWER SUPPLY
GREEN	RIGHT TURN/ STOP
BLACK	BACK UP
YELLOW	LEFT TURN/ STOP

