

TOW SLING/TRUCK BAR PARTS

PARTS LIST — LIGHT DUTY TOW SLING

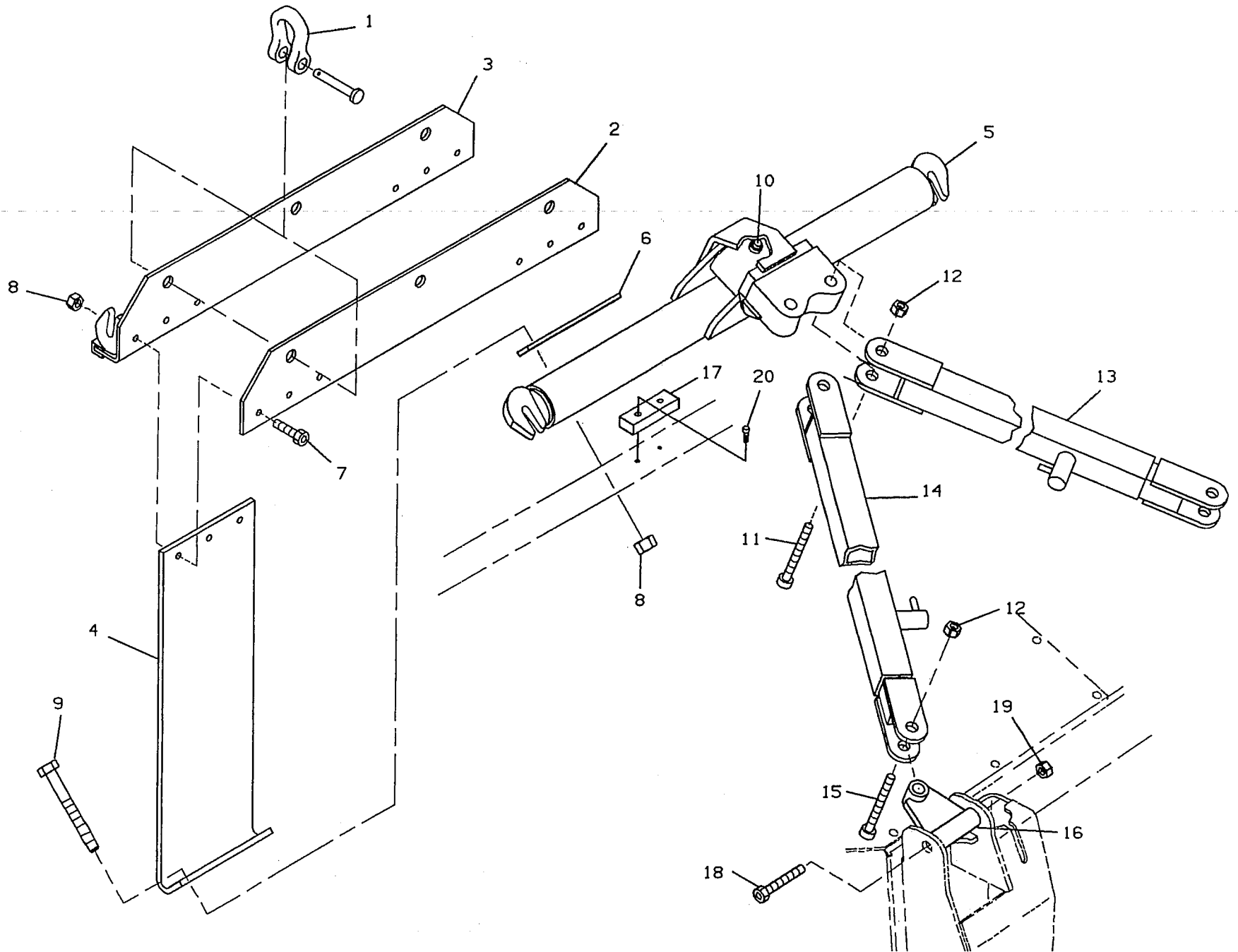
Ref. No.	Part No.	Description	Qty.
1	7804000001(A)	Anchor Shackle	1
	7804000001(B)	Anchor Shackle	2
2	4706000727	Anchor Plate	1
3	3017000008	Anchor Angle	1
4	7822000003	Cable Sling Belt	2
5	3500800031	Tow Sling Head	1
6	4706000726	Plate	2
7	7115161250	Capscrew	6
8	7660162601	Locknut	12
9	7118163250	Capscrew	6
10	7440030000	Grease Fitting	7
11	7105223050	Bolt	2
12	7661000017	Locknut	4
13	3020000006	Hold Back Bar, RH	1
14	3020000007	Hold Back Bar, LH	1
15	7105222650	Capscrew	2
16	3309000007	U-Joint	2
17	7679000010	Rubber Pad	2
18	7115223806	Capscrew	2
19	7660202601	Locknut	2
20	7790101276	Screw	4

A - Application with Single Winch Wrecker Boom
 B - Application with Dual Winch Wrecker Boom

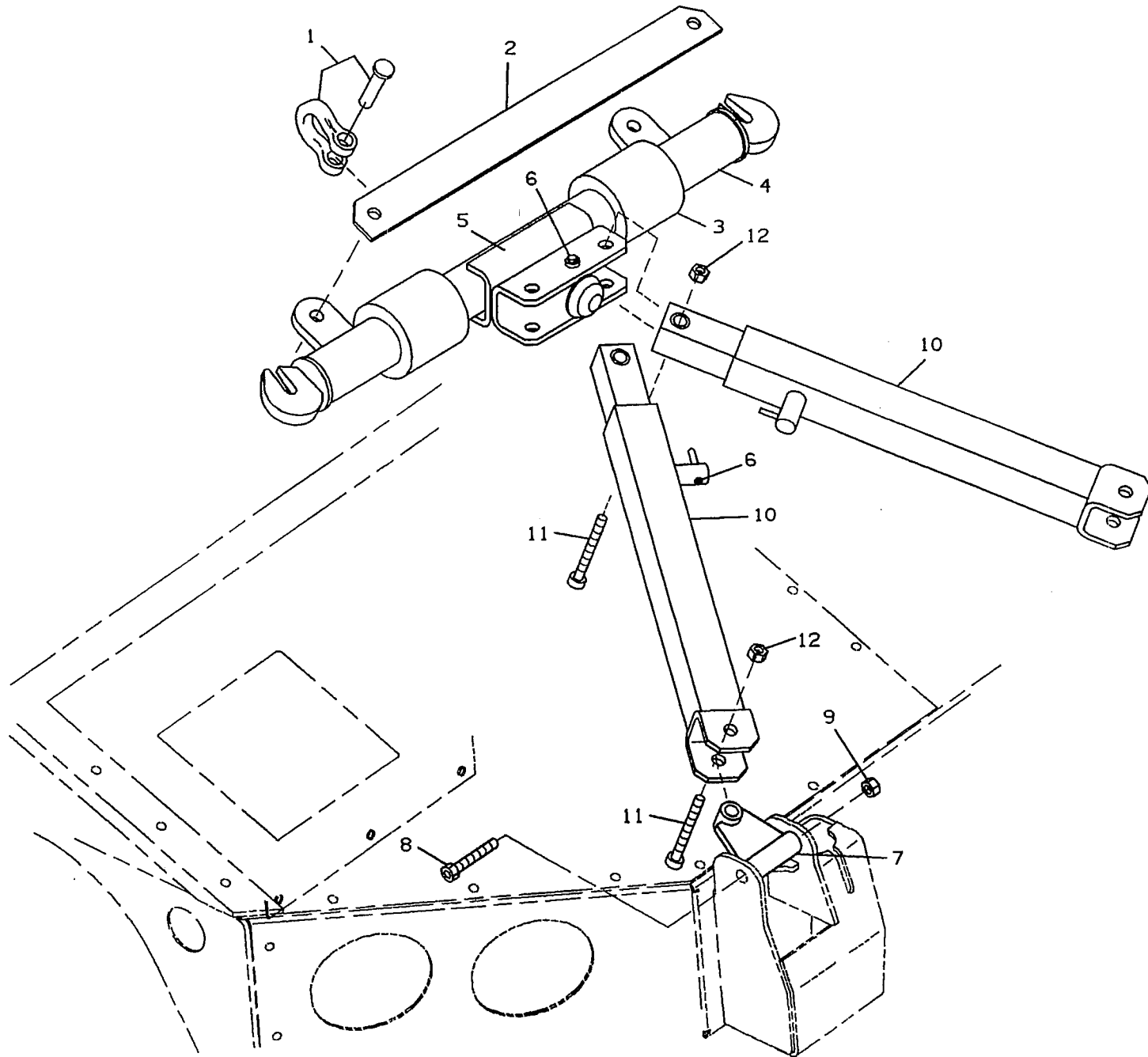
Rev. 1

Date 6-1-96

LIGHT DUTY TOW SLING



MEDIUM DUTY TRUCK BAR



Rev. 1

Date 6-1-96

PARTS LIST — MEDIUM DUTY TRUCK BAR

Ref. No.	Part No.	Description	Qty.
1	7804000002	Anchor Shackle	2
2	4706000983	Plate	1
3	8565760025	Tube	2
4	3912000003	Tube	2
5	3512800043	Tow Sling Head	1
6	7440030000	Grease Fitting	7
7	3309000006	U-Joint	2
8	7115223806	Capscrew	2
9	7660202601	Locknut	2
10	3020000010	Hold Back Bar	2
11	7105223250	Capscrew	4
12	7661000017	Locknut	4

Rev. 1

F-5

Date 6-1-96