

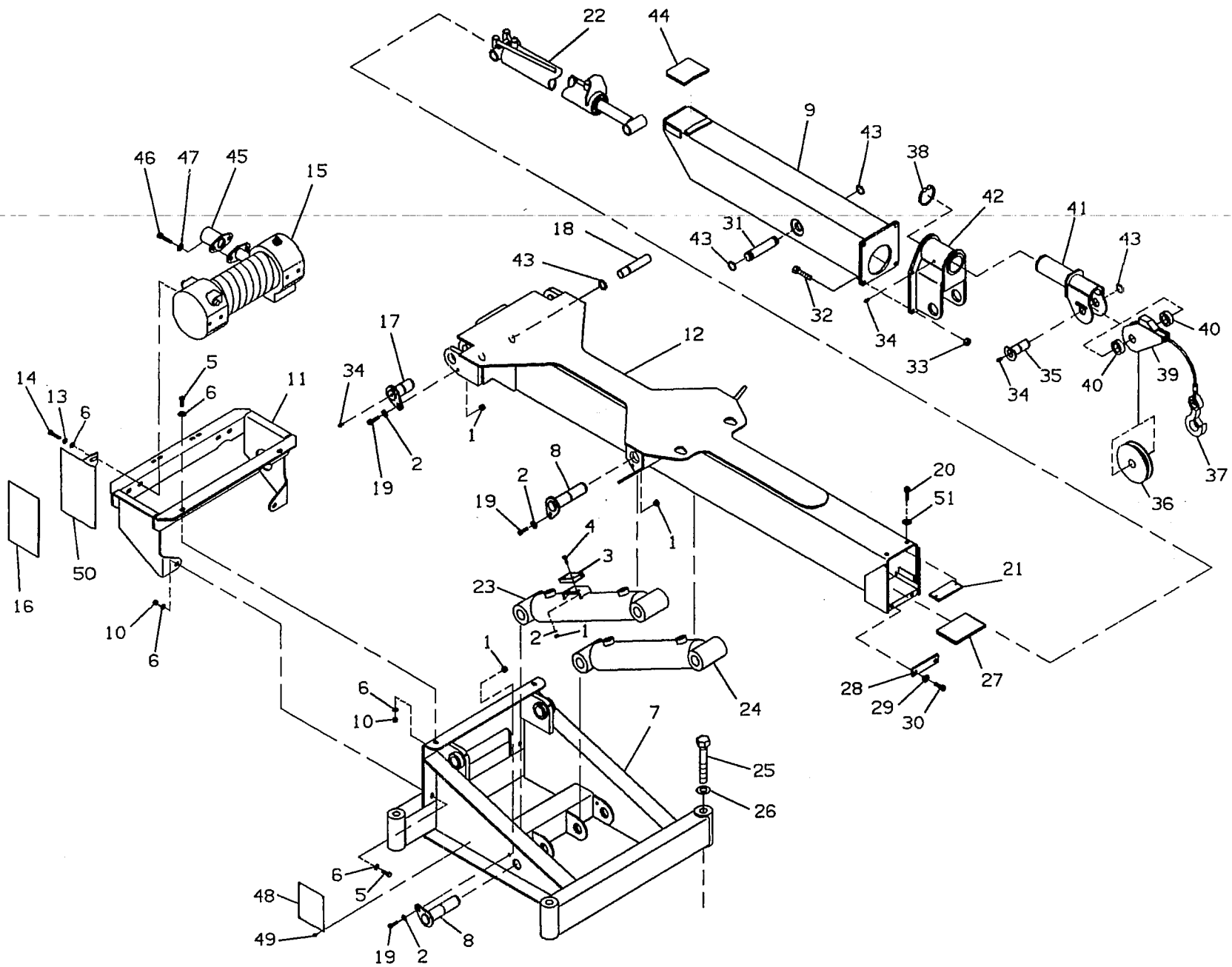
**0808S AND 0808D
8-TON WRECKER BOOM
PARTS**

PARTS LIST - SINGLE WINCH WRECKER BOOM

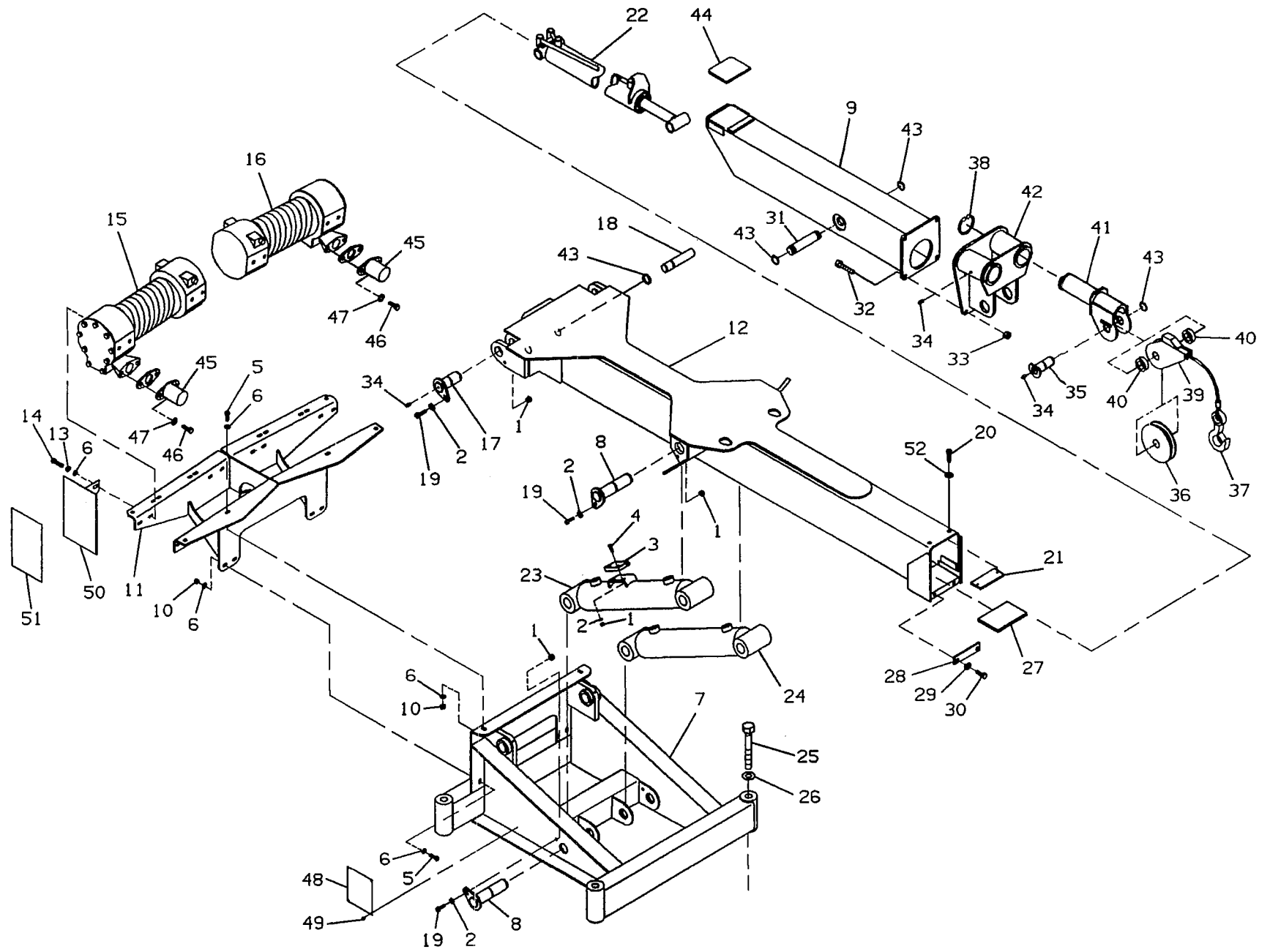
Ref. No.	Part No.	Description	Qty.
1	7660152600	Locknut	8
2	7950150161	Flatwasher	8
3	7935000001	Counterbalance Valve	1
4	7111151650	CapscREW	2
5	7115161050	CapscREW	4
6	7950160959	Flatwasher	16
7	3511100079	Base	1
8	3691000075	Pin	4
9	3510100060	Fly Section	1
10	7660162601	Locknut	4
11	3510100050	Single Winch Mount	1
12	3510100062	Base Section	1
13	7950160000	Lockwasher	8
14	7115160850	CapscREW	8
15	7970000005	8000# Winch	1
16	7330000138	Operator's Checklist	1
17	3691000076	Pin	2
18	4691000179	Pin	1
19	7115151050	CapscREW	6
20	7118140418	CapscREW	2
21	4706000067	Plate	1
22	3320000007	Extension Cylinder	1
23	3320000011	Lift Cylinder, L.H.	1
24	3320000012	Lift Cylinder, R.H.	1
25	7115245650	CapscREW	4
26	7950240161	Flatwasher	4
27	4679000005	Wear Pad	1
28	4706000160	Plate	1
29	7950180000	Lockwasher	2
30	7115180850	CapscREW	2
31	4691000027	Pin	1
32	7115181250	CapscREW	4
33	7660182600	Locknut	4
34	7440030000	Grease Fitting	8
35	3691000002	Pin	1
36	7809000001	Sheave	1
37	7248000003	Cable Assembly	1
38	7754000005	Retaining Ring	1
39	3510900068	Cable Guide	1
40	4209000019	Bushing	2
41	3512900006	Sheave Support	1
42	3510100058	Boom Nose	1
43	7754000006	Retaining Ring	6
44	4679000004	Wear Pad	1
45	7626000008	Orbit Motor	1
46	7115181050	CapscREW	2
47	7950180400	Lockwasher	2
48	7330000145	Wrecker Boom Placard	1
49	7759000004	Pop Rivets	4
50	4706001255	Decal Mounting Plate	1
51	7950140161	Flatwasher	2

Rev. 1

SINGLE WINCH WRECKER BOOM



DUAL WINCH WRECKER BOOM



PARTS LIST - DUAL WINCH WRECKER BOOM

Ref. No.	Part No.	Description	Qty.
1	7660152600	Locknut	8
2	7950150161	Flatwasher	8
3	7935000001	Counterbalance Valve	1
4	7111151650	Capscrew	2
5	7115161050	Capscrew	6
6	7950160959	Flatwasher	32
7	3511100079	Base	1
8	3691000075	Pin	4
9	3510100060	Fly Section	1
10	7660162601	Locknut	6
11	3510100051	Winch Mount	1
12	3510100062	Base Section	1
13	7950160000	Lockwasher	16
14	7115160850	Capscrew	16
15	7970000005	8000# Winch, L.H.	1
16	7970000004	8000# Winch, R.H.	1
17	3691000076	Pin	2
18	4691000179	Pin	1
19	7115151050	Capscrew	6
20	7118140418	Capscrew	2
21	4706000067	Plate	1
22	3320000007	Extension Cylinder	1
23	3320000011	Lift Cylinder, L.H.	1
24	3320000012	Lift Cylinder, R.H.	1
25	7115245650	Capscrew	4
26	7950240161	Flatwasher	4
27	4679000005	Wear Pad	1
28	4706000160	Plate	1
29	7950180000	Lockwasher	2
30	7115180850	Capscrew	2
31	4691000027	Pin	1
32	7115181450	Capscrew	4
33	7660182600	Locknut	4
34	7440030000	Grease Fitting	10
35	3691000134	Pin	2
36	7809000001	Sheave	2
37	7248000003	Cable Assembly	2
38	7754000018	Retaining Ring	2
39	3249000002	Cable Guide	2
40	4209000019	Bushing	4
41	3502900023	Sheave Support	2
42	3502100024	Boom Nose	1
43	7754000006	Retaining Ring	6
44	4679000004	Wear Pad	1
45	7626000008	Orbit Motor	2
46	7115181050	Capscrew	4
47	7950180400	Lockwasher	4
48	7330000145	Wrecker Boom Placard	1
49	7759000004	Pop Rivets	4
50	4706001255	Decal Mounting Plate	1
51	7330000138	Operator's Checklist	1
52	7590140161	Flatwasher	2

Rev. 1

Date 6-1-96

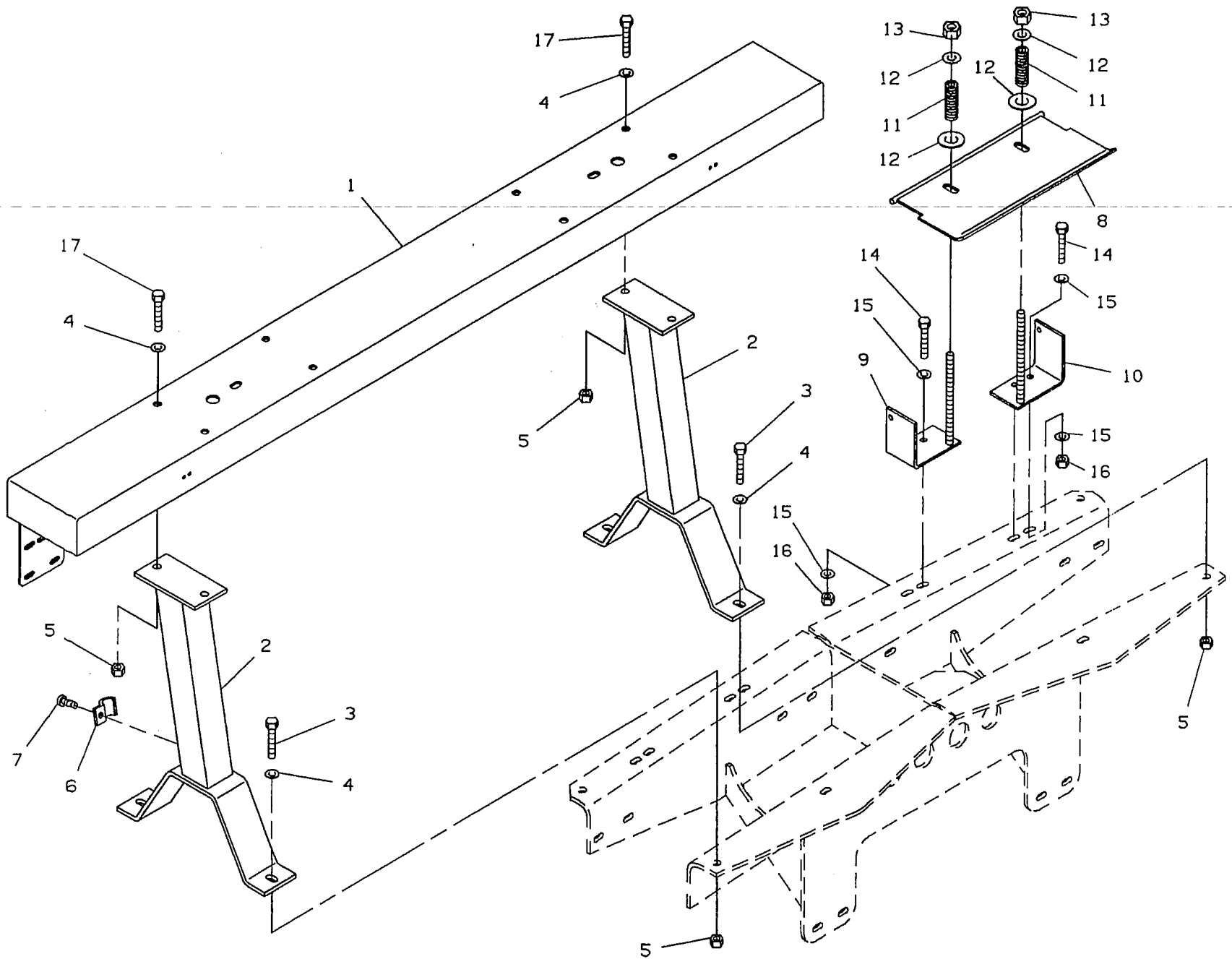
PARTS LIST — LIGHT PYLON AND CABLE TENSIONER

Ref. No.	Part No.	Description	Qty.
1	3263000011	Channel	1
2	3178000060	Mounting Bracket (17")	2
	3178000100	Mounting Bracket (27")	2
3	7115161050	Capscrew	4
4	7950150161	Flatwasher	8
5	7660162601	Locknut	8
6	7280000001	Jiffy Clip	2
7	7790100856	Screw	2
8	3706000008	Pressure Plate	1
9	3017000003	Angle, LH	1
10	3017000002	Angle, RH	1
11	7843000004	Spring	2
12	7950180161	Flatwasher	4
13	7660182600	Locknut	2
14	7111161050	Capscrew	4
15	7950160161	Flatwasher	8
16	7660162601	Locknut	4
17	7115160850	Capscrew	4

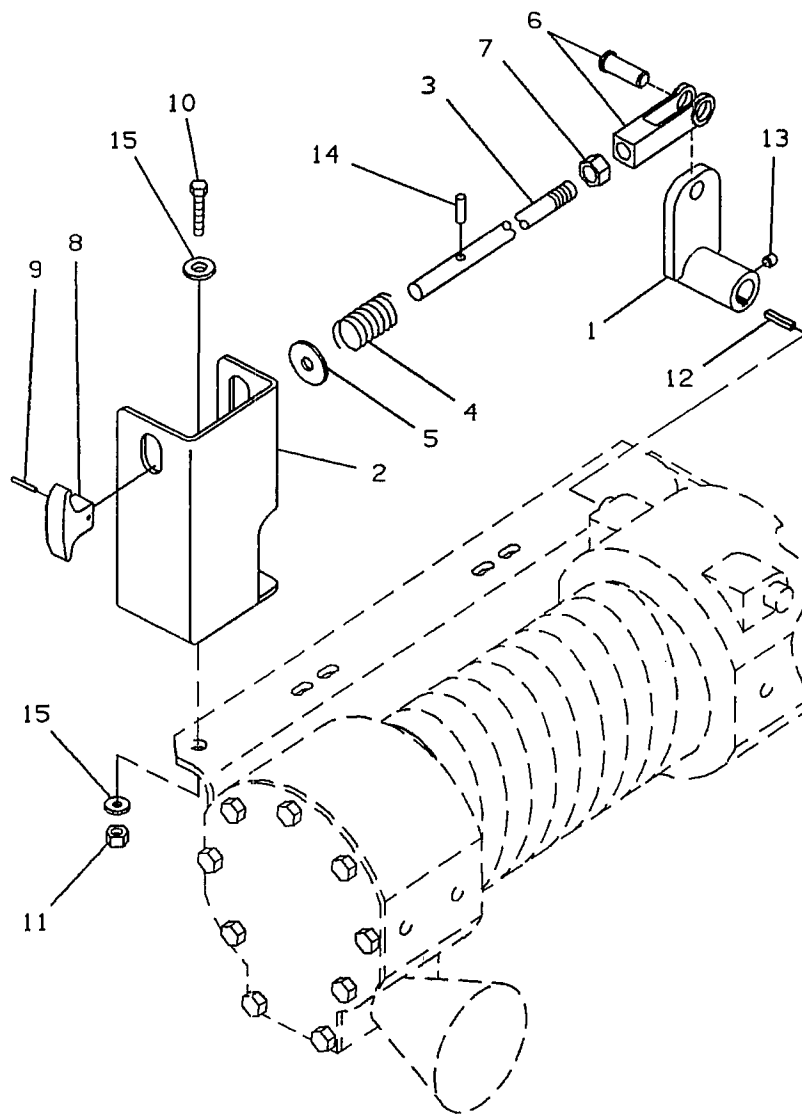
Rev. 1

Date 6-1-96

LIGHT PYLON AND CABLE TENSIONER



REMOTE FREE SPOOL



*NOTE: R.H. SHOWN
L.H. OPPOSITE

PARTS LIST — REMOTE FREE SPOOL

Ref. No.	Part No.	Description	Qty.
1	3587000007	Lever	1
2	4178000167	Bracket, R.H.	1
	4178000166	Bracket, L.H.	1
3	3587000008	Shaft	1
4	7843000010	Compression Spring	1
5	7950180161	Flatwasher	1
6	7308000013	Yoke and Clevis	1
7	7660180030	Hexnut	1
8	4551000005	Handle	1
9	7690051640	Spring Pin	1
10	7115161250	Capscrew	1
11	7660160000	Hexnut	1
12	4575060600	Keystock	1
13	9785960003	Set Screw	1
14	7690102045	Spring Pin	1
15	7950160162	Flatwasher	2

Rev. 1

Date 6-1-96

**PARTS LIST — R.H. WRECKER BOOM LIFT CYLINDER
332000012**

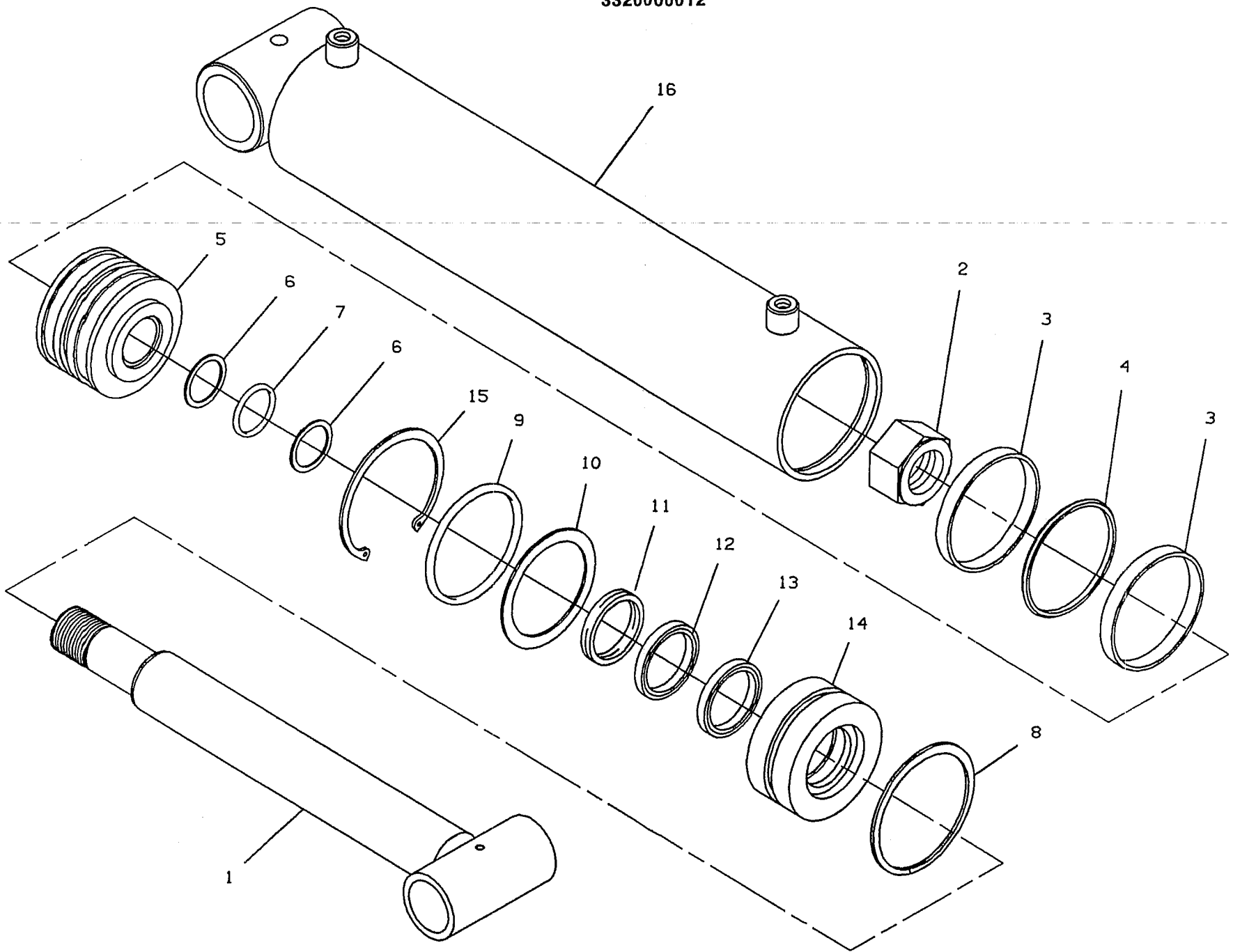
Ref. No.	Part No.	Description	Qty.
1	3763000041	Cylinder Rod	1
2	7660342031	Locknut	1
3	7754000011*	Piston Wear Ring	2
4	7796000009*	Piston Seal	1
5	4698000008	Piston	1
6	7755226609*	Backup Ring	2
7	7755226000*	O-Ring	1
8	7754000028	Retaining Ring	1
9	7755342000*	O-Ring	1
10	7755342609*	Backup Ring	1
11	7754000012*	Wear Ring	1
12	7796000025*	Rod Seal	
13	7796000011*	Rod Wiper Seal	1
14	4553000009	Head	1
15	7754000013	Retaining Ring	1
16	3071000012	Barrel, RH	1

* - Available Only in Service Kit No. 7577250026

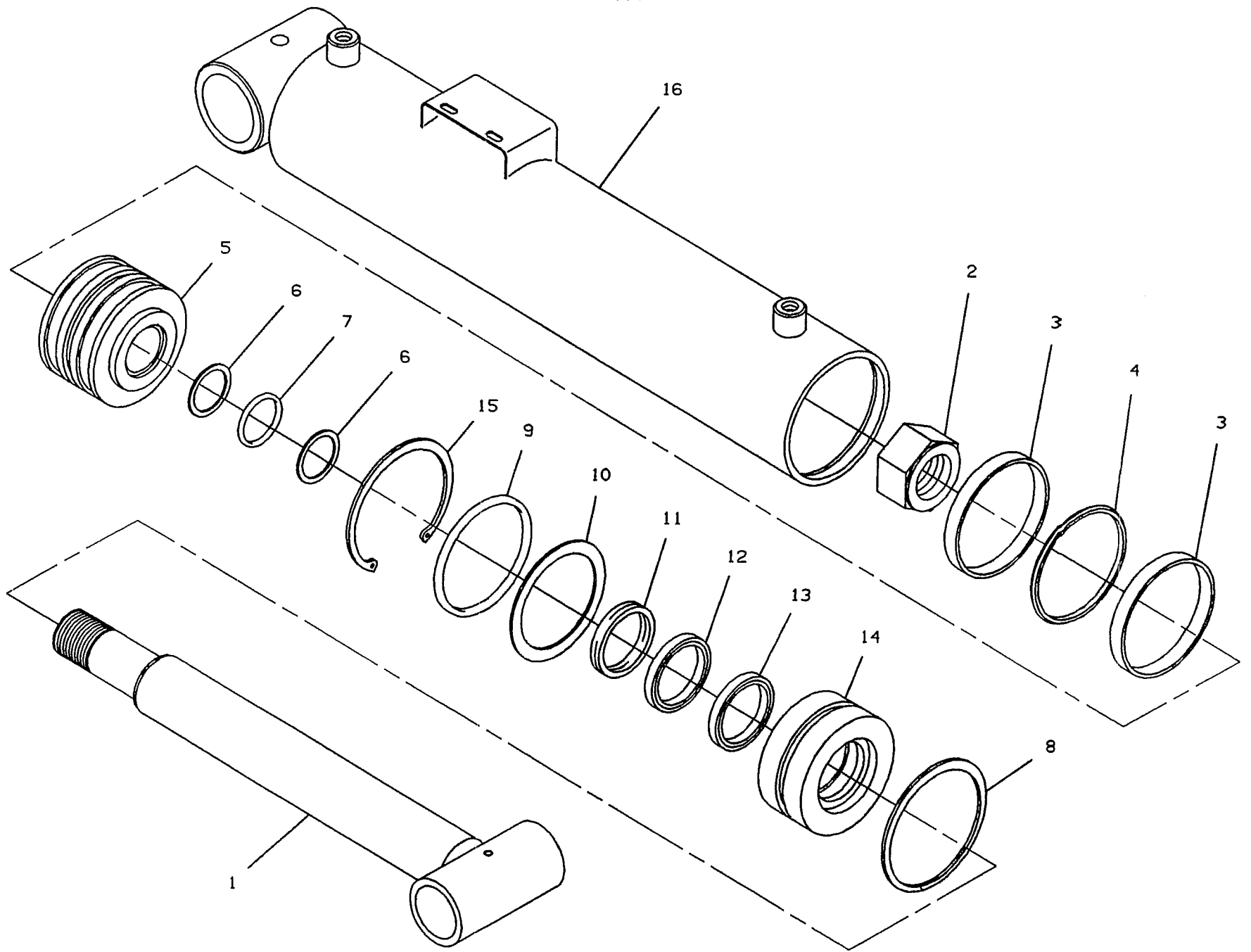
Rev. _____

Date _____

R.H. WRECKER BOOM LIFT CYLINDER
332000012



L.H. WRECKER BOOM LIFT CYLINDER
332000011



**PARTS LIST — L.H. WRECKER BOOM LIFT CYLINDER
332000011**

Ref. No.	Part No.	Description	Qty.
1	3763000041	Cylinder Rod	1
2	7660341631	Locknut	1
3	7754000011*	Wear Ring	2
4	7796000009*	Piston Seal	1
5	4698000008	Piston	1
6	7755226609*	Backup Ring	2
7	7755226000*	O-Ring	1
8	7754000028	Retaining Ring	1
9	7755342000*	O-Ring	1
10	7755342609*	Backup Ring	1
11	7754000012*	Wear Ring	1
12	7796000025*	Rod Seal	1
13	7796000011*	Rod Wiper Seal	1
14	4553000009	Head	1
15	7754000013	Retaining Ring	1
16	3071000011	Barrel, LH	1

* - Available Only in Service Kit No. 7577250026

Rev. _____

Date _____

**PARTS LIST — WRECKER BOOM EXTENSION CYLINDER
332000007**

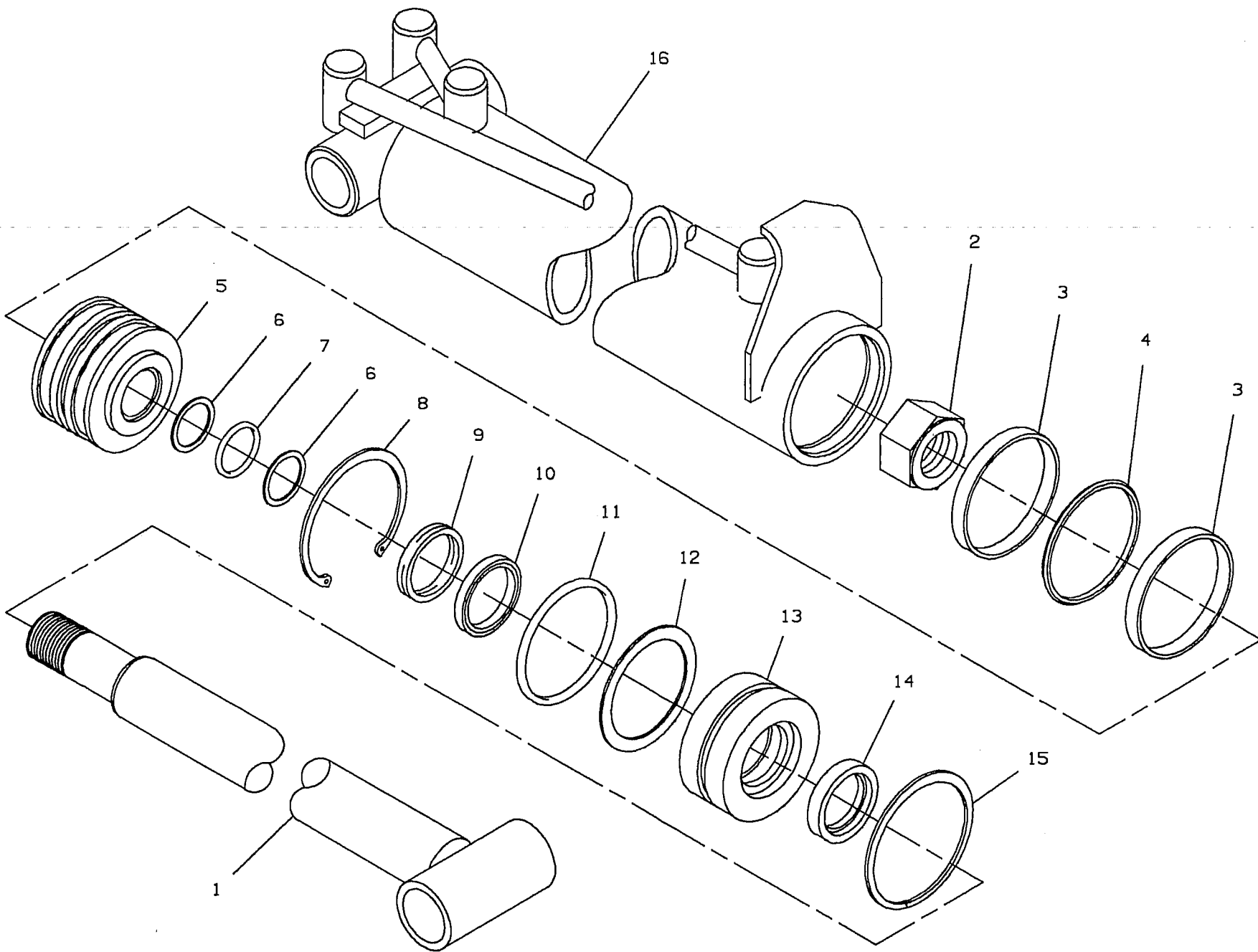
Ref. No.	Part No.	Description	Qty.
1	3763000040	Cylinder Rod	1
2	7660262031	Locknut	1
3	7754000003	Wear Ring	2
4	7796000006*	Piston Seal	1
5	4698000007	Piston	1
6	7755224609*	Backup Ring	2
7	7755224000*	O-Ring	1
8	7754000002	Retaining Ring	1
9	7754000004*	Wear Ring	1
10	7796000024*	Rod Seal	1
11	7755334000*	O-Ring	1
12	7755334609*	Backup Ring	1
13	4553000008	Head	1
14	7796000008*	Rod Wiper Seal	1
15	7754000026	Retaining Ring	1
16	3071000007	Barrel	1

* - Available Only in Service Kit No. 7577250024

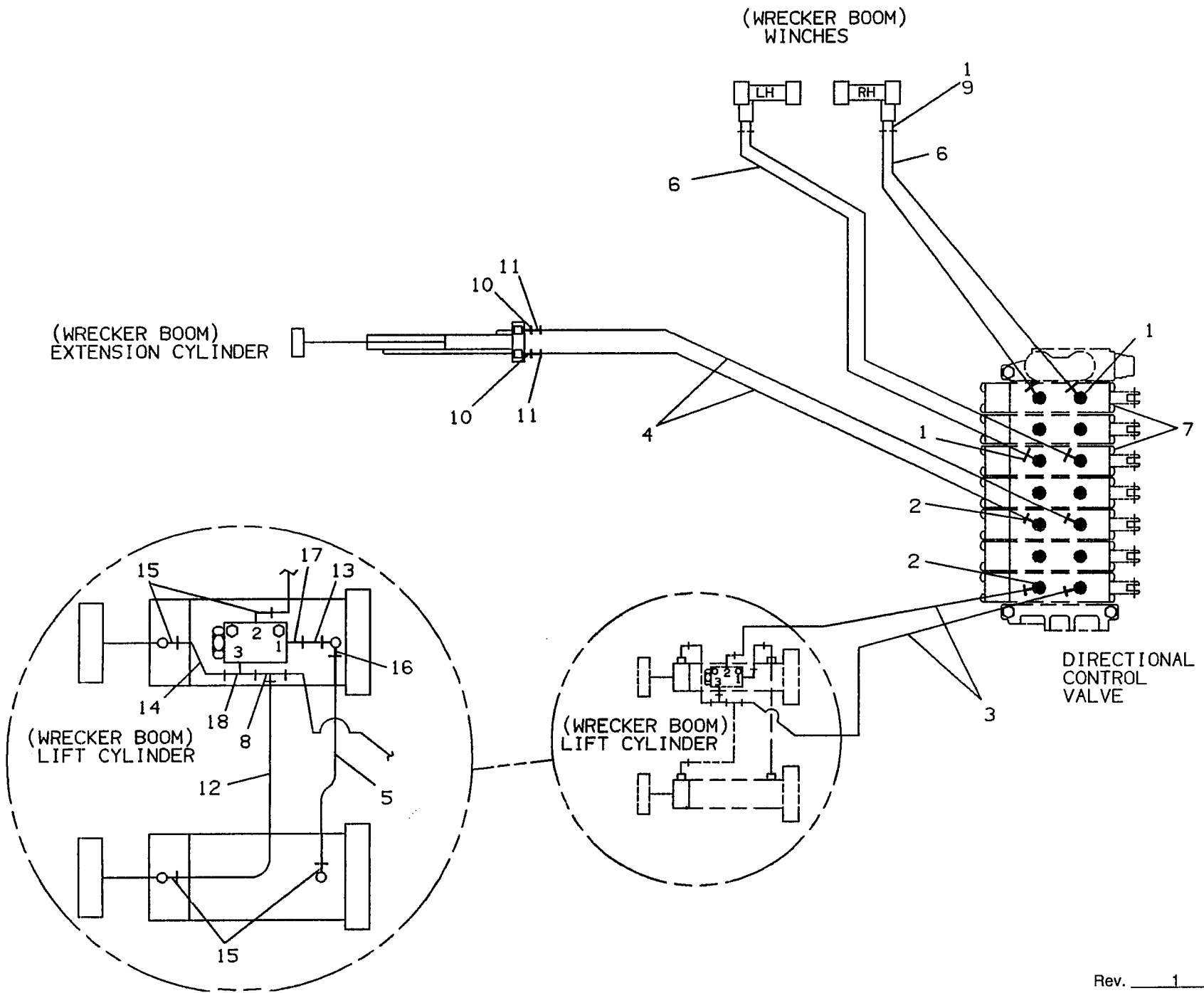
Rev. 1

Date 6-1-96

WRECKER BOOM EXTENSION CYLINDER
332000007



HYDRAULIC COMPONENTS



Rev. 1

Date 6-1-96

PARTS LIST - 8000# WINCH

Ref. No.	Part No.	Description	Qty.
1	300057	Adapter	1
2	302809	Angle	2
	302810	Y Angle	2
3	316083	Bearing Cap	1
4	324161	Jaw Clutch	1
5	328134	Cover	1
6	332105	Drum	1
	332007	Y Drum	1
7	334161	Gear R.H. 60:1	1
	334163	Gear R.H. 46:1	1
	334165	Gear R.H. 30:1	1
8	338003	Clutch Housing	1
9	338273	Gear Housing	1
10	242018	Key	1
11	342024	Key	1
12	342027	Key	1
13	344008	Shift Lever	1
14	356902	Shaft	1
15	357479	Drum Shaft	1
	357480	Y Drum Shaft	1
16	368002	Worm R.H. 46:1	1
	368007	Worm R.H. 60:1	1
	368011	Worm R.H. 30:1	1
17	370001	Yoke	1
18	400001	Poppet Ball	1
19	402002	Ball Bearing	2
20	412003	Bushing	4
21	412045	Bushing	1
22	414038	Capscrew	10
23	414045	Capscrew	4
24	414279	Capscrew	2
25	414282	Capscrew	6
26	414842	Capscrew	4
27	414952	Capscrew	2
28	416040	Setscrew	1
29	416059	Setscrew	1
30	416084	Setscrew	1
31	416109	Setscrew	1
32	418177	Lockwasher	8
33	418218	Lockwasher	2
34	431008	Coupling	1
35	438014	Disc-Brake	2
36	442184	Gasket	2
37	442205	Gasket	1
38	450006	Key	2
39	450016	Key	4
40	456006	Lube Fitting	2
41	456008	Relief Fitting	1
42	458050	Motor	1
43	468002	Reducer	1
44	468011	Plug	2

Rev. _____

Date _____

PARTS LIST - HYDRAULIC COMPONENTS

Ref. No.	Part No.	Description	Qty.
1	7445081043 (A)	Adapter	4
	7445081043 (B)	Adapter	8
2	7445061043	Adapter	4
3	4567322064	Hose	2
4	4567122055	Hose	2
5	7912000002	Tube	1
6	4567332075 (A)	Hose	2
	4567332075 (B)	Hose	4
7	7935000076 (A)	Valve Relief Cartridge	1
	7935000076 (B)	Valve Relief Cartridge	2
8	7443000030	Tee	1
9	7443000023 (A)	Elbow - 90°	2
	7443000023 (B)	Elbow - 90°	4
10	7445060643	Adapter	2
11	7445060672	Elbow - 90°	2
12	4567222022	Hose	1
13	7912000001	Tube	1
14	4570000008	Hose	1
15	7445060645	Elbow - 90°	4
16	7445060648	Tee	1
17	7445060646	Elbow - 45°	1
18	7445060647	Tee	1

- A - Application with Single Winch Wrecker Boom
 B - Application with Dual Winch Wrecker Boom

Rev. 1

Date 6-1-96

Ref. No.	Part No.	Description	Qty.
45	470033	Spirol Pin	1
46	472013	Plug	1
47	486009	Oil Seal	1
48	486017	Oil Seal	1
49	494001	Spring	1
50	494002	Spring	2
51	518014	Thrust Washer	1
52	518015	Thrust Washer	2

Rev. _____

Date _____

8000# WINCH

