

**STEEL  
BODY PARTS  
60" C.A.**

B-KE

C-1

Part Number 5-376-000011  
Rev. 1

\*

Rev. \_\_\_\_\_

Date \_\_\_\_\_

## PARTS LIST — BODY - 60" C.A.

Ref. No.	Part No.	Description	Qty.
1	4706000717	Plate	4
2	7660182601	Locknut	4
3	7115181650	Capscrew	8
4	7660182301	Locknut	8
5	4706001516	Mud Cover Plate	1
6	4706001120	Mud Cover Plate	1
7	4178000186	Bracket	1
8	7790141056	Screw	6
9	7111140850(A)	Capscrew	2
	7111140850(B)	Capscrew	1
10	7660142600(A)	Locknut	2
	7660142600(B)	Locknut	1
11	7950140161(A)	Flatwasher	2
	7950140161(B)	Flatwasher	1
12	3097000053(A)	Steel Body - 60" C.A.	1
	3097000079(B)	Steel Body - 60" C.A.	1
13	4679000087	Rubber Pad	1
14	7701000003	Hole Plug	3
15	7595000002(A)	Paddle Handle Lock	1
	7595000002(B)	Paddle Handle Lock	2
16	7114080418(A)	Capscrew	4
	7114080418(B)	Capscrew	8
17	7660082500(A)	Locknut	4
	7660082500(B)	Locknut	8
18	3706000040(A)	Door Plate	1
	3706000040(B)	Door Plate	2
19	7118160516(A)	Bolt	2
	7118160516(B)	Bolt	4
20	7660162301(A)	Locknut	2
	7660162301(B)	Locknut	4
21	4679000084(B)	Rubber Pad	1
22	7330000001	Serial Number Tag	1
23	7759000004	Rivet	4
24	7330000166(C)	Cover Plate	2
	7314000002(D)	Cover Plate	2
25	7790141076	Screw	8
26	3556000022	D-Ring	2
27	4314000029	Guard Plate, R.H.	1
28	4314000030	Guard Plate, L.H.	1
29	7759000007	Rivet	8
30	4017000492	Mounting Angle, L.H. - 19"	1
	4017000494	Mounting Angle, L.H. - 21"	1
	4017000496	Mounting Angle, L.H. - 24"	1
31	4706001123	Backup Plate - 19"	2
	4706001124	Backup Plate - 21"	2
	4706001125	Backup Plate - 24"	2
32	4178000073	Light Bracket	2
33	7638000003	Mud Flap - 19"	2
	4638000001	Mud Flap - 24"	2
	7638000007	Mud Flap - 20"	2
34	7111151010	Screw	8

Rev. 1

Date 5-1-96

# PARTS LIST — BODY - 60" C.A.

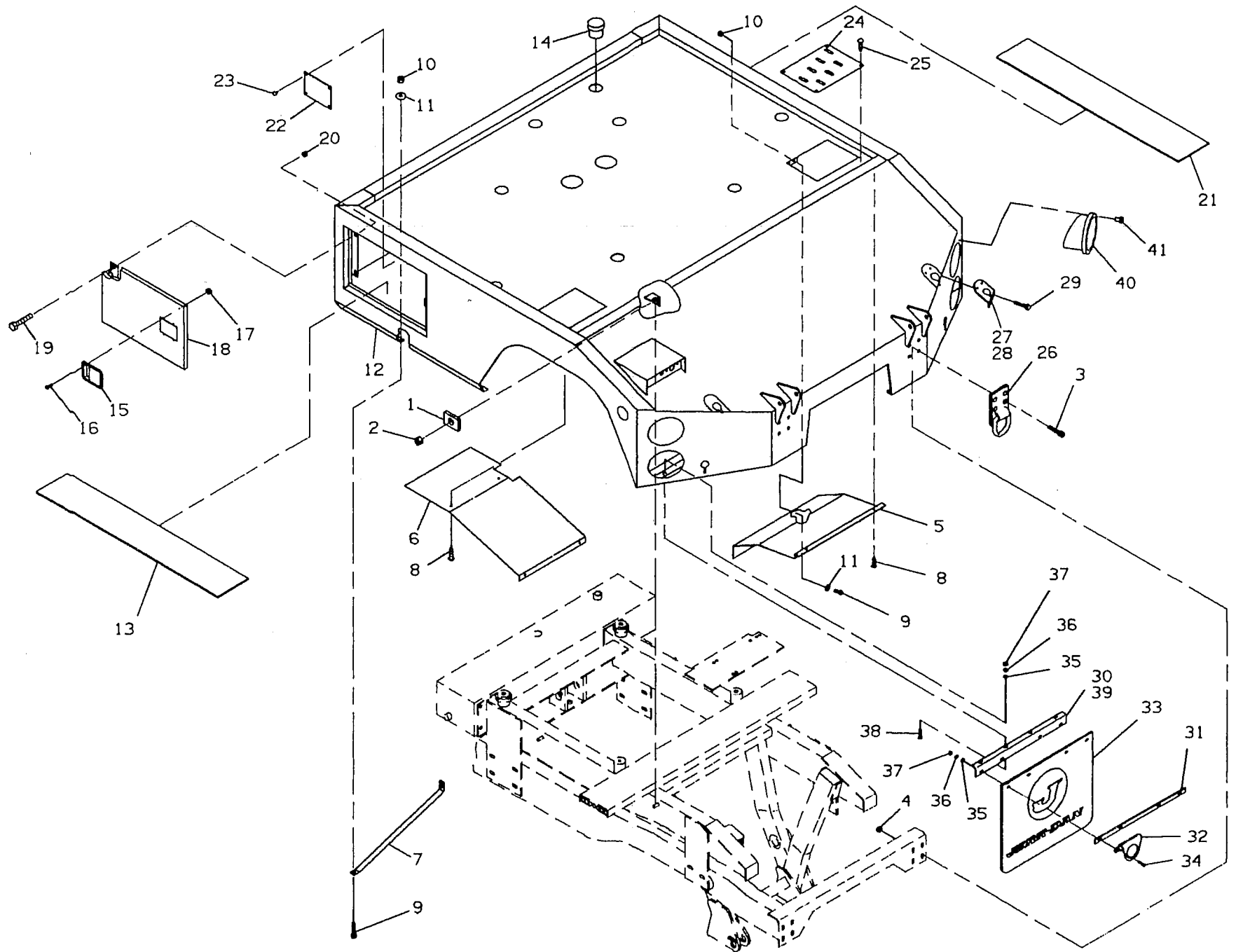
Ref. No.	Part No.	Description	Qty.
35	7950150161	Flatwasher	14
36	7950150000	Lockwasher	14
37	7660150000	Hexnut	14
38	7111150850	Capscrew	6
39	4017000493	Mounting Angle, R.H. - 19"	1
	4017000495	Mounting Angle, R.H. - 21"	1
	4017000497	Mounting Angle, R.H. - 24"	1
40	7259000004	Tail Light Housing	4
41	7790101611	Screw	12

- A - Toolbox, Driver's Side
- B - Toolbox, Both Sides
- C - HPL Applications
- D - MPG/EPG™ Applications

Rev. 1

Date 5-1-96

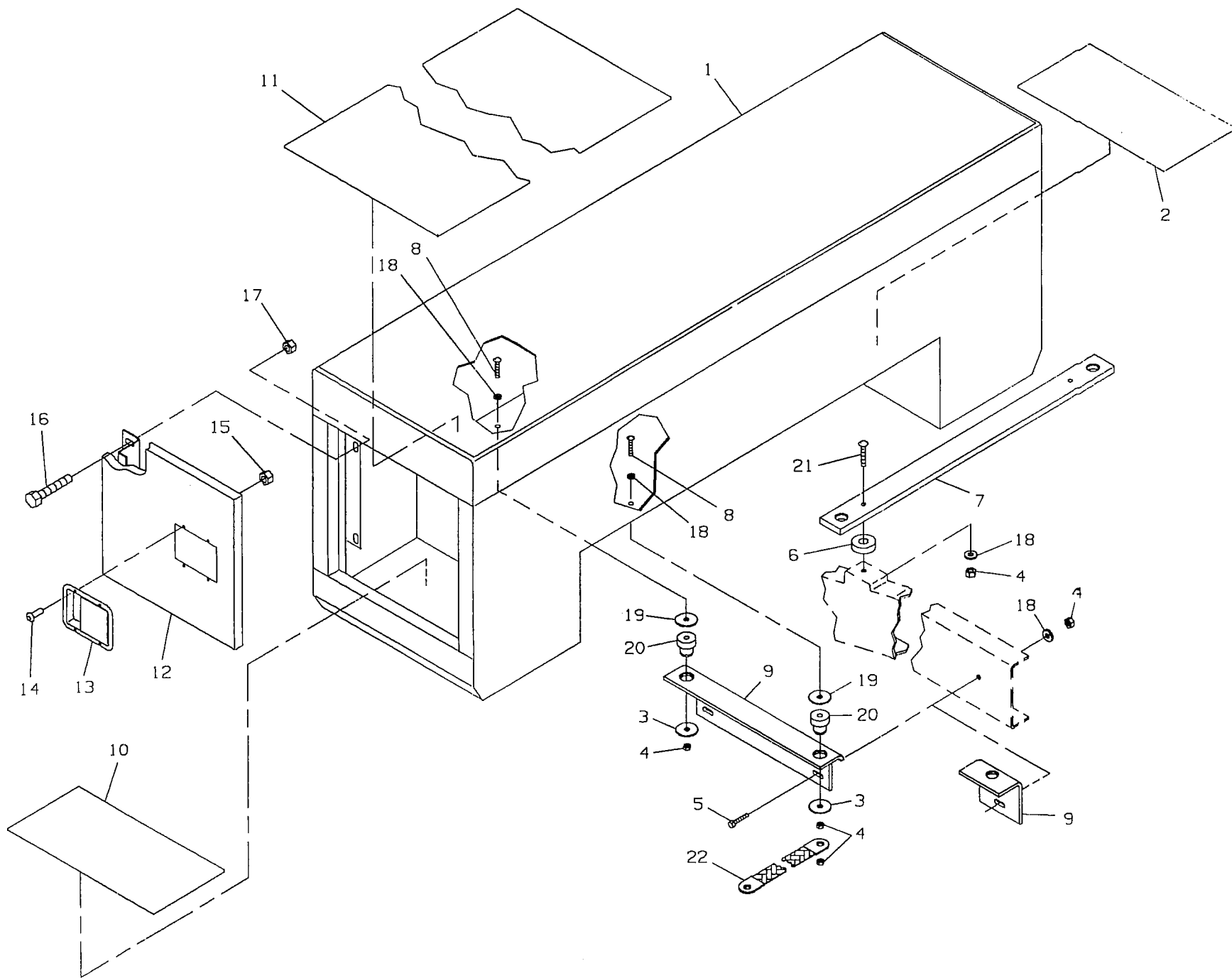
BODY 60" C.A.



Rev. 1

Date 5-1-96

# 24" TUNNEL TOOLBOX



## PARTS LIST — 24" TUNNEL TOOLBOX

Ref. No.	Part No.	Description	Qty.
1	3899000041	Toolbox	1
2	4679000085	Rubber Pad	1
3	7949000012	Washer	4
4	7660182301	Locknut	9
5	7115181450(A)	Capscrew	4
	7115181450(B)	Capscrew	2
6	4831000060(B)	Spacer	2
7	4706001541(B)	Plate	1
8	7115182650	Capscrew	4
9	4017000674(A)	Angle	2
	4017000675(B)	Angle	2
10	4679000106	Rubber Pad	1
11	4679000108	Rubber Pad	1
12	3706000036	Door	2
13	7595000002	Paddle Handle Lock	2
14	7114080418	Capscrew	8
15	7660082500	Locknut	8
16	7118160516	Bolt	4
17	7660162301	Locknut	4
18	7950180161(A)	Flatwasher	8
	7950180161(B)	Flatwasher	10
19	7949000013	Washer	4
20	7636000005	Rubber Mount	4
21	7115181850 (B)	Capscrew	2
22	7346000038	Grounding Strap	1

A - Ford and International Applications  
 B - Chevy Applications

Rev. 1

Date 5-1-96

## PARTS LIST — HEADBOARD AND FOLD DOWN LIGHT BAR

Ref. No.	Part No.	Description	Qty.
1	3241000037	24.75" Aluminum Headboard	1
	3241000038	34" Aluminum Headboard	1
	3241000039	37" Aluminum Headboard	1
	3241000034	24.75" Steel Headboard	1
	3241000035	34" Steel Headboard	1
	3241000036	40" Steel Headboard	1
2	7115181450	Capscrew	4
3	7950180161(A)	Flatwasher	8
	7950180161(B)	Flatwasher	4
4	7661000006	Well Nut	8
5	7660182601(A)	Locknut	4
6	3510150025	Light Bar	1
7	3510150080	Hinge	2
8	4017000130	Angle	2
9	4017000129	Angle	2
10	7690081441	Spring Pin	4
11	7189000001	Rubber Bumper	4
12	7111101610	Machine Screw	4
13	7661000002	Hexnut w/Lockwasher	4
14	7949000007	Flatwasher	4
15	7585000001	Flexible Draw Latch	2
16	7759000002	Rivet	8
17	7114140818	Capscrew	16
18	7660142600	Hex Locknut	8
19	7950140161	Flatwasher	8

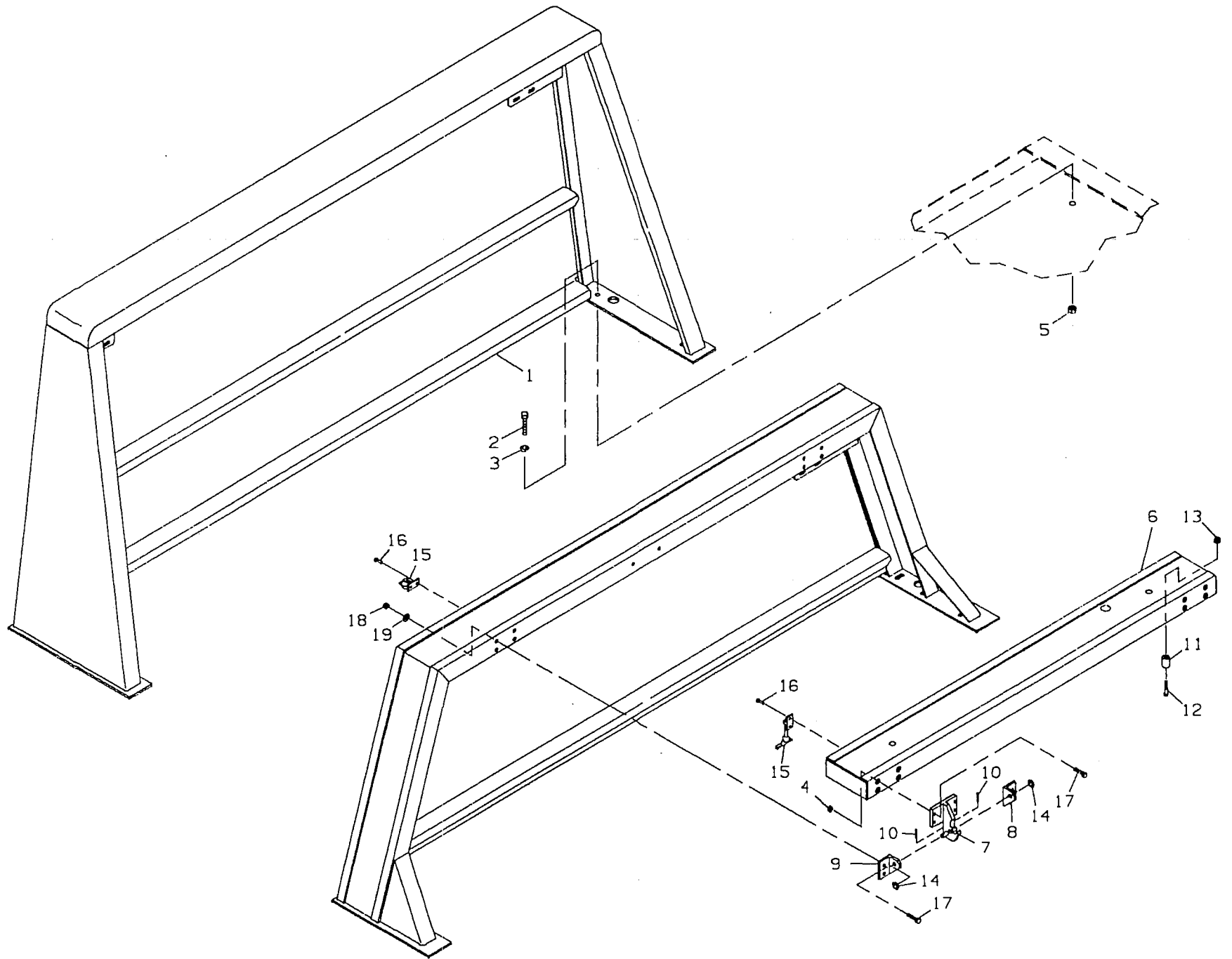
A - Tunnel Toolbox Mounted  
 B - Deck Mounted

Rev. 1

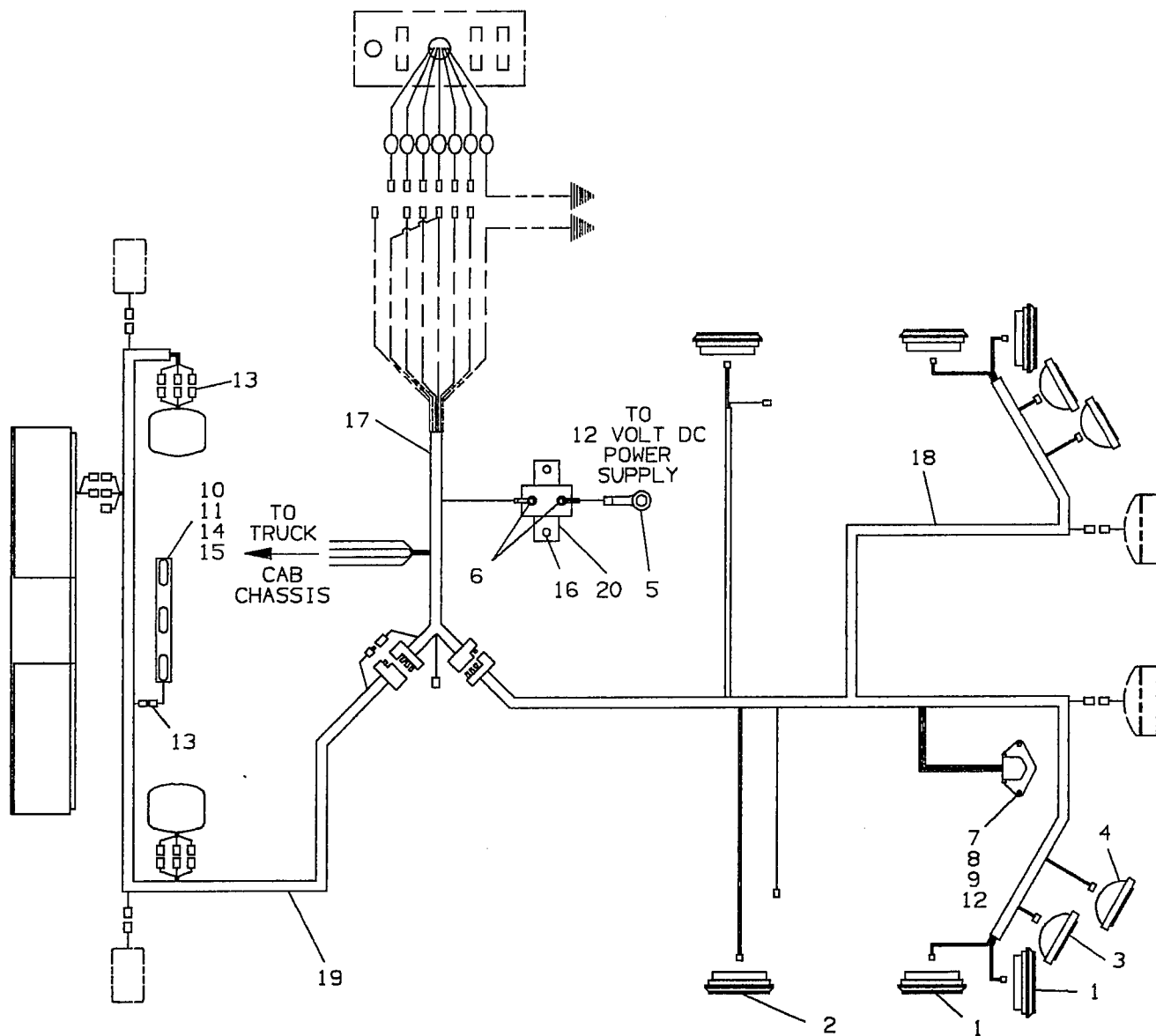
Date 5-1-96



# HEADBOARD AND FOLD DOWN LIGHT BAR



**WIRING DIAGRAM  
60" C.A.**



WIRE COLOR	FUNCTION
ORANGE	ROTATOR
BLUE	TOOL BOX
BROWN	CLEARANCE/ PARKING
WHITE	GROUND
WHITE/BLACK STRIPE	BEACON
PURPLE	FLOOD LIGHTS
RED	HAND CONTROL/ REAR WORK LIGHTS
GRAY	12VDC POWER SUPPLY
GREEN	RIGHT TURN/ STOP
BLACK	BACK UP
YELLOW	LEFT TURN/ STOP

**PARTS LIST — WIRING DIAGRAM  
60" C.A.**

<b>Ref. No.</b>	<b>Part No.</b>	<b>Description</b>	<b>Qty.</b>
1	7590000009	Red Marker Light	4
2	7590000010	Amber Marker Light	2
3	7590000002	Stop, Turn, Tail Light	2
4	7590000003	Clear Back Up Light	2
5	7345231901	Terminal	1
6	7345211901	Terminal	2
7	7291000003	Receptacle	1
8	7111140613	Screw	2
9	7950140000	Lockwasher	2
10	7590000007	Bar Lamp	1
11	7114140818	Capscrew	2
12	7413000002	Nutsert	2
13	7345001703	Bullet Terminal	7
14	7660142600	Locknut	2
15	7950140161	Flatwasher	2
16	7790100856	Screw	2
17	7552000001	Wiring Harness	1
18	7552000042	Wiring Harness	1
19	7552000045	Wiring Harness	1
20	7457000004	Circuit Breaker	1

Rev. \_\_\_\_\_

Date \_\_\_\_\_

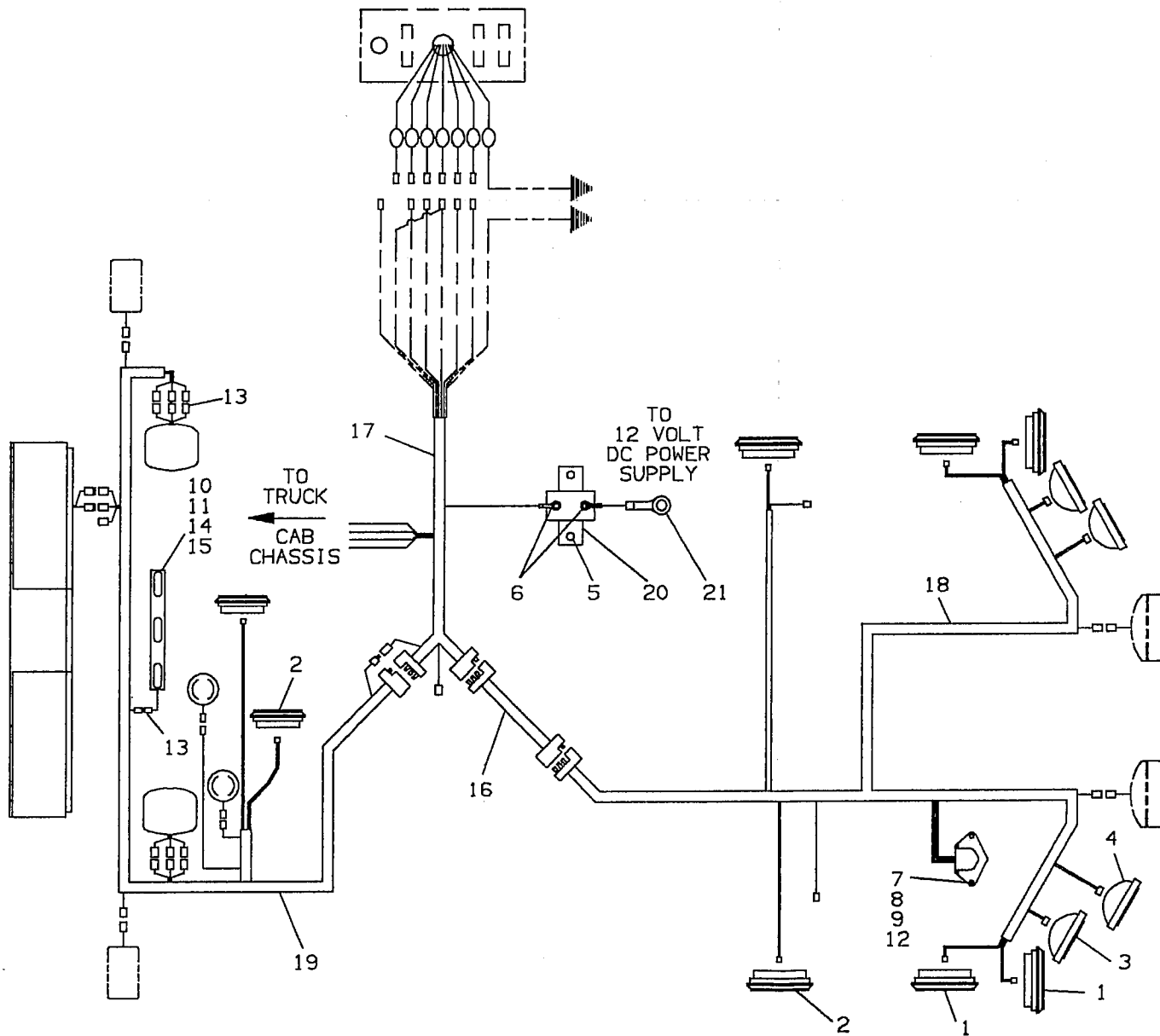
**PARTS LIST — WIRING DIAGRAM  
84" C.A.**

<b>Ref. No.</b>	<b>Part No.</b>	<b>Description</b>	<b>Qty.</b>
1	7590000009	Red Marker Light	4
2	7590000010	Amber Marker Light	4
3	7590000002	Stop, Turn, Tail Light	2
4	7590000003	Clear Back Up Light	2
5	7790100856	Screw	2
6	7345211901	Terminal	2
7	7291000003	Receptacle	1
8	7111140613	Screw	2
9	7950140000	Lockwasher	2
10	7590000007	Bar Lamp	1
11	7114140818	Capscrew	2
12	7413000002	Nutsert	2
13	7345001703	Bullet Terminal	7
14	7660142600	Locknut	2
15	7950140161	Flatwasher	2
16	7552000053	Wiring Harness Extension	1
17	7552000001	Wiring Harness	1
18	7552000042	Wiring Harness	1
19	7552000044	Wiring Harness	1
20	7457000004	Circuit Breaker	1
21	7345231901	Terminal	1

Rev. \_\_\_\_\_

Date \_\_\_\_\_

**WIRING DIAGRAM  
84" C.A.**



WIRE COLOR	FUNCTION
ORANGE	ROTATOR
BLUE	TOOL BOX
BROWN	CLEARANCE/ PARKING
WHITE	GROUND
WHITE/BLACK STRIPE	BEACON
PURPLE	FLOOD LIGHTS
RED	HAND CONTROL/ REAR WORK LIGHTS
GRAY	12VDC POWER SUPPLY
GREEN	RIGHT TURN/ STOP
BLACK	BACK UP
YELLOW	LEFT TURN/ STOP

